

**CALIFORNIA REGIONAL WATER QUALITY CONTROL BOARD  
LOS ANGELES REGION**

320 West 4th Street, Suite 200, Los Angeles, California, 90013  
(213) 576-6600 • Fax (213) 576-6793  
<http://www.waterboards.ca.gov/losangeles>

**ORDER NO. R4-2015-XXXX  
(File No. 04-035)**

**WASTE DISCHARGE REQUIREMENTS  
AND  
TITLE 22 WATER RECYCLING REQUIREMENTS**

**ISSUED TO**

**UNITED STATES NAVY  
NAVAL AUXILIARY LANDING FIELD (NALF), SAN CLEMENTE ISLAND  
(San Clemente Island Wastewater Treatment Plant)**

The following Permittee is subject to Waste Discharge Requirements (WDRs) and Water Recycling Requirements (WRRs) set forth in this Order:

**Table 1. PRODUCER INFORMATION**

<b>Producer</b>	United States Navy (Navy, Permittee, or Producer)
<b>Name of Facility</b>	San Clemente Island Wastewater Treatment Plant (SCI WWTP or Facility)
<b>Facility Address</b>	Naval Auxiliary Landing Field
	San Clemente Island, California
	Los Angeles County
<b>Mailing Address</b>	937 N. Harbor Drive, Bldg 1, Fl 5, Box 81
	San Diego, CA 92132
	San Diego County

**Table 2. ADMINISTRATIVE INFORMATION**

This Order was adopted and shall become effective on:	May 14, 2015
---	--------------

**Contents**

<b>I. BACKGROUND - DESCRIPTION OF FACILITY AND TREATMENT PROCESS</b>	<b>3</b>
<b>II. RECYCLED WATER DISTRIBUTION SYSTEM</b>	<b>4</b>
<b>III. QUALITY OF SECONDARY-23 AND TERTIARY EFFLUENT</b>	<b>4</b>
<b>IV. GROUNDWATER</b>	<b>4</b>
<b>V. PURPOSE OF ORDER</b>	<b>5</b>
<b>VI. APPLICABLE PLANS, POLICIES AND REGULATIONS</b>	<b>5</b>
<b>VII. CALIFORNIA ENVIRONMENTAL QUALITY ACT (CEQA) AND NATIONAL ENVIRONMENTAL POLICY ACT (NEPA)</b>	<b>8</b>
<b>VIII. FINAL EFFLUENT LIMITATIONS</b>	<b>9</b>
<b>IX. SPECIFICATIONS FOR RECYCLED WATER</b>	<b>10</b>
<b>X. SPECIFICATIONS AND REQUIREMENTS FOR DUAL-PLUMBED SYSTEMS</b>	<b>11</b>
<b>XI. DDW SPECIFICATIONS FOR TREATMENT</b>	<b>13</b>
<b>XII. USE AREA REQUIREMENTS</b>	<b>15</b>
<b>XIII. GENERAL REQUIREMENTS</b>	<b>18</b>
<b>XIV. PROVISIONS</b>	<b>19</b>
<b>XV. REOPENER</b>	<b>22</b>
<b>XVI. EFFECTIVE DATE OF THE ORDER</b>	<b>22</b>

**Tables**

<b>Table 1. PRODUCER INFORMATION</b>	<b>1</b>
<b>Table 2. ADMINISTRATIVE INFORMATION</b>	<b>1</b>
<b>Table 3. BENEFICIAL USES OF GROUNDWATER</b>	<b>6</b>
<b>Table 4. CONCENTRATIONS IN DISINFECTED TERTIARY EFFLUENT</b>	<b>9</b>
<b>Table 5. CONCENTRATIONS IN DISINFECTED SECONDARY-23 EFFLUENT</b>	<b>9</b>

**Figures**

<b>FIGURE 1 –PROCESS FLOW DIAGRAM PART 1 OF 3</b>	<b>23</b>
<b>FIGURE 2 – PROCESS FLOW DIAGRAM PART 2 OF 3</b>	<b>24</b>
<b>FIGURE 3 – PROCESS FLOW DIAGRAM PART 3 OF 3</b>	<b>25</b>
<b>FIGURE 4 – RECYCLED WATER SYSTEM</b>	<b>26</b>
<b>FIGURE 5 – WATER RECYCLING CRITERIA</b>	<b>27</b>

**Attachments**

<b>ATTACHMENT A – PRIORITY POLLUTANTS</b>	<b>A-1</b>
<b>ATTACHMENT B - STANDARD PROVISIONS</b>	<b>B-1</b>

The California Regional Water Quality Control Board, Los Angeles Region (Regional Water Board) finds the following:

## I. BACKGROUND - DESCRIPTION OF FACILITY AND TREATMENT PROCESS

1. The United States Navy (Navy, Producer, or Permittee) owns and operates the San Clemente Island Wastewater Treatment Plant, located at the Naval Auxiliary Landing Field, San Clemente Island, Los Angeles County. The plant is located on the northeast side of San Clemente Island and is approximately 80 miles west of the City of San Diego. The Navy operates and maintains the recycled water distribution system and conducts training/inspections of individual user sites.
2. The treatment system at SCI WWTP consists of a package-type secondary-23 wastewater treatment plant, built in 1979, and a recently installed package-type tertiary wastewater treatment plant. The influent flows through a comminutor and then into a primary equalization tank. The two plants are hydraulically connected at this point and the flow may be directed to either plant. The secondary-23 plant has a design capacity of 0.060 million gallons per day (MGD) and consists of activated sludge extended aeration, clarification, chlorination, and dechlorination. The tertiary plant has a design capacity of 0.030 MGD and consists of the Smith and Loveless Titan Membrane Bio Reactor Package. This includes fine screening, flow equalization, sludge storage, anoxic zones, an aeration zone including an immersion-type membrane module of flat sheet polyvinylidene difluoride (PVDF), a filtration zone, chlorine contact, and dechlorination. The membrane is the Membray® brand manufactured by Toray and is listed as an approved technology by the State Water Resources Control Board, Division of Drinking Water, in their *Alternative Treatment Technology Report for Recycled Water* published in 2014. Treated wastewater, prior to dechlorination, is pumped to either a tertiary or a secondary-23 recycled water storage tank, depending on water quality. The sludge is either bagged or dried and sent to the landfill on San Clemente Island for disposal. A process flow diagram of the facility consisting of both treatment plants is depicted in Figures 1 through 3.
3. The Navy intends to operate the tertiary treatment plant exclusively, except during periods of high flows to the treatment system and startup and maintenance of the tertiary plant. The secondary plant will only be operated in emergency situations or when the tertiary plant must be shut down for maintenance.
4. The SCI WWTP is currently permitted to discharge up to 0.025 MGD of secondary and/or tertiary recycled water to the Pacific Ocean, under WDRs contained under National Pollutant Discharge Elimination System (NPDES) Order No. R4-2013-0111 adopted by this Regional Board on July 11, 2013.
5. Since potable water is routinely shipped to San Clemente Island by barge from San Diego, the Navy has developed a recycled water system on the island. Currently only the distribution of secondary-23 recycled water is permitted on San Clemente Island for soil compaction, mixing concrete, backfill consolidation around non-potable piping, dust control, and flushing sanitary sewers.

6. The Navy currently recycles treated wastewater under WRRs/WDRs Order No. R4-2004-0057, adopted by this Regional Water Board on April 1, 2004.

## **II. RECYCLED WATER DISTRIBUTION SYSTEM**

1. The Navy generates secondary-23 and tertiary-treated recycled water from its SCI WWTP and distributes it around the island for various uses. Figure 4 depicts the recycled water system on the island. The secondary-23 recycled water is delivered to a storage tank, where it is then distributed on the island by truck for soil compaction, mixing concrete, backfill consolidation around non-potable piping, dust control, and flushing sanitary sewers. The tertiary treated recycled water will be delivered to a second recycled water storage tank through a separate distribution line where it will then be distributed on the island by truck for the aforementioned uses for secondary-23 recycled water, for two new decorative fountains outside Bachelor Enlisted Quarters (BEQs) 61021 and 61022, and for toilets in the five dual-plumbed BEQs 61021, 61022, 61023, 61024, and 60193.
2. Other recycled water uses may also be permitted, with the approval from both, the State Water Resources Control Board, Division of Drinking Water (DDW), and the Regional Water Board. Potential future uses include landscape irrigation, grading, routine wildfire and brush fire fighting activities, non-potable weapons range uses, facility and vehicle washing, and non-potable plumbing to any additional BEQs on the island or any BEQs that may be built on the island in the future.

## **III. QUALITY OF SECONDARY-23 AND TERTIARY EFFLUENT**

1. The effluent from the secondary-23 treatment plant has consistently met the limitations set forth in WDR/WRR Order No. R4-2004-0057 with the exception of pH. On 3 separate occasions in the past 4 years, the pH of the recycled water was below the minimum limit of 6.5, with a minimum value of 6.26. After each of these occasions, the pH was brought back within the acceptable range.
2. The tertiary treatment plant is not yet in operation and has produced no water quality data at the time of issuance of these WDRs/WRRs.

## **IV. GROUNDWATER**

1. San Clemente Island is within the San Clemente Island Groundwater Basin, which is a part of San Pedro Channel Islands Groundwater Basin. However, the California Department of Water Resources (DWR) has not designated water quality objectives for the San Clemente Island Groundwater Basin.
2. In addition, there have been several borings drilled throughout the island to investigate the presence of groundwater. One boring was drilled at the former San Clemente Island Boy Scout Camp and one by the Wilson Cove Recycled Water Storage Tank. These borings were drilled to a depth of up to 150 feet and in both cases only tidally influenced groundwater was encountered.
3. The approved and potential future uses of the recycled water from the SCI WWTP are not expected to cause significant infiltration of the recycled water to the

groundwater basin. As a result, this Order does not include effluent limits for the protection of groundwater for municipal use or monitoring associated with municipal use.

## V. PURPOSE OF ORDER

1. On October 31, 2014, the Navy submitted a Final Engineering Report to the Regional Water Board and to DDW to reflect the changes being made to the SCI WWTP treatment process. The Navy has installed a new tertiary treatment plant and proposes to increase the use of recycled water.
2. On November 07, 2014, the Regional Water Board received a letter from DDW describing the conditional approval of the Final Engineering Report and the required guidelines.
3. The Permittee filed a Report of Waste Discharge (ROWD) and submitted an application on May 16, 2014. The Navy requested renewal of its WRRs/WDRs to reflect the changes being made to the recycled water distribution system.
4. This WRR/WDR is being reissued to the Navy pursuant to California Water Code (CWC) Section 13263 and 13523. This Order updates the requirements for the recycled water and includes new uses approved by DDW. The Navy is responsible for processing individual end-users' applications, inspecting point-of-use facilities, and ensuring end-users' compliance with the requirements contained in this Order. The actual delivery of recycled water to end-users is subject to approval by DDW and/or its delegated local health agency.

## VI. APPLICABLE PLANS, POLICIES AND REGULATIONS

1. The Regional Water Board adopted a revised *Water Quality Control Plan for the Los Angeles Region: Basin Plan for the Coastal Watersheds of Los Angeles and Ventura Counties* (Basin Plan) on June 13, 1994, which has been amended by various Regional Water Board resolutions. The Basin Plan (i) designates beneficial uses for surface and groundwater; (ii) establishes narrative and numeric water quality objectives to protect the designated (existing and potential) beneficial uses and conform to the State's antidegradation policy; and (iii) includes implementation provisions, programs, and policies to protect all waters in the region. In addition, the Basin Plan identifies all applicable State Water Resources Control Board (State Water Board) and Regional Water Board plans and policies and other pertinent water quality policies and regulations. This Order implements the plans, policies, and provisions of the Basin Plan and other applicable plans and policies.
2. The beneficial uses of the receiving groundwater are as follows:

**Table 3. BENEFICIAL USES OF GROUNDWATER**

Receiving Water Name	Beneficial Use(s)
San Pedro Channel Islands: San Clemente Island	<p><u>Existing Beneficial Uses:</u> None.</p> <p><u>Potential Beneficial Use:</u> Municipal &amp; Domestic Supply (MUN) and Industrial Service Supply (IND)</p>

3. The Basin Plan does not contain water quality objectives specific to the San Clemente Island Groundwater Basin, which is considered to be the receiving water underlying the current recycled water use area. The Basin Plan contains water quality objectives for groundwater that apply throughout the Region.
4. The State Water Board adopted Resolution No. 77-1, *Policy with Respect to Water Reclamation in California*, which includes principles that encourage and recommend funding for water recycling and its use in water-short areas of the state. On September 26, 1988, the Regional Water Board also adopted Resolution No. 88-012, *Supporting Beneficial Use of Available Reclaimed Water in Lieu of Potable Water for the Same Purpose*, which encourages the beneficial use of recycled wastewater and supports water recycling projects.
5. DDW has primary statewide responsibility for protecting public health with respect to the use and application of recycled water. It has established statewide water recycling criteria in California Code of Regulations, Title 22, division 4, chapter 3 (hereafter referred to as Title 22). Approved uses of recycled water under title 22 depend on the level of treatment, disinfection, and potential for public contact.
6. On October 28, 1968, the State Water Board adopted Resolution No. 68-16, *Statement of Policy with Respect to Maintaining High Quality of Waters in California* (Resolution 68-16), establishing an Anti-degradation Policy for the State Water Board and Regional Water Boards. State Water Board Resolution No. 68-16 requires the Regional Water Board, in regulating discharge of waste, to maintain high quality waters of the State until it is demonstrated that any change in quality will be consistent with maximum benefit to the people of the State, will not unreasonably affect beneficial uses, and will not result in water quality less than that described in the Regional Water Board's policies. Resolution 68-16 requires the discharge be regulated to meet best practicable treatment or control to assure that pollution or nuisance will not occur and the highest water quality consistent with the maximum benefit to the people of the State be maintained.

This Order is consistent with Resolution 68-16 as they require use of best practicable treatment or control of the discharge – tertiary treatment in compliance with Title 22 and secondary treatment for certain discharges. The approved uses for the recycled water are not expected to measurably impact groundwater quality. Any irrigation is limited to agronomic rates and no runoff of recycled water shall be permitted. There are no impoundments of recycled water on San Clemente Island.

7. The California Legislature has declared that a substantial portion of the future water requirements of the state may be economically met by beneficial use of recycled water. (Wat. Code, § 13511.) The Legislature also expressed its intent that the state undertake all possible steps to encourage development of water recycling facilities so that recycled water may be made available to help meet the growing water requirements of the state. (Wat. Code, § 13512.) This Order requires best practicable treatment or control, which is a combination of treatment, storage, and application methods that implement the requirements of Title 22 and the Basin Plan. The use of recycled water in place of both raw and potable water supplies for the non-potable uses allowed under this order improves water supply availability and helps to ensure that higher quality water will continue to be available for human uses and for in-stream uses for fish and wildlife. Treatment technologies required under the permit include tertiary treatment and disinfection for pathogen removal.
8. Section 13523 of the CWC provides that a Regional Water Board, after consulting with and receiving recommendations from DDW or its delegated local health agency, and after any necessary hearing, shall, if it determines such action to be necessary to protect the health, safety, or welfare of the public, prescribe WRRs for water that is used or proposed to be used as recycled water. CWC Section 13523 further provides that, at a minimum, the WRRs shall include, or be in conformance with, the statewide water recycling criteria established by DDW pursuant to CWC Section 13521.
9. Pursuant to CWC Section 13523, the Regional Water Board has consulted with DDW regarding the proposed recycling project and has incorporated its recommendations in this Order.
10. The requirements contained in this Order are in conformance with the goals and objectives of the Basin Plan and implement the requirements of the CWC and CCR Title 22, Division 4, Chapter 3 - *Water Recycling Criteria*.
11. CWC Section 13523.5, on WRRs, states that a Regional Water Board may not deny issuance of WRRs to a project that violates only a salinity standard in a Basin Plan. In 1985, soon after this provision was added to the CWC, the State Water Board Office of Chief Counsel issued a legal opinion concluding that this provision does not apply to WDRs. Hence, WDRs for projects that recycle water may contain effluent and other limitations on discharges of salts, as necessary to meet water quality objectives, comply with Resolution 68-16 or otherwise protect beneficial uses.
12. Pursuant to Water Code section 13241 and 13263, the State Water Board, in establishing the requirements contained herein, considered factors including, but not limited to, the following:
  - A. Past, present, and probable future beneficial uses of water;
  - B. Environmental characteristics of the hydrographic unit under consideration, including the quality of water available thereto;

- C. Water quality conditions that could reasonably be achieved through the coordinated control of all factors which affect water quality in the area;
- D. Economic considerations;
- E. The need for developing housing within the region(s); and
- F. The need to develop and use recycled water.

**VII. CALIFORNIA ENVIRONMENTAL QUALITY ACT (CEQA) AND NATIONAL ENVIRONMENTAL POLICY ACT (NEPA)**

1. The Regional Water Board is the lead agency for purposes of the California Environmental Quality Act. This project involves minor alterations to an existing facility and, as such, is exempt from the provisions of the California Environmental Quality Act (Public Resources Code, Section 21100 et seq.) in accordance with California Code of Regulations, Title 14, Chapter 3, Section 15301.
2. The United States Navy is the lead agency for purposes of National Environmental Policy Act. The United States Navy has determined that the production and use of recycled water on San Clemente Island meets requirements for a Categorical Exclusion as outlined in OPNAVINST 5090.1B, Chapter 2, paragraph 2-4.2, that are normally categorically excluded from further documentation requirements of the National Environmental Policy Act. The proposed action does not individually nor cumulatively have a significant effect on the environment and therefore, neither an Environmental Assessment nor an Environmental Impact Statement is required.
3. The Regional Water Board has incorporated requirements into this Order to protect the water quality of the waters of the state consistent with the applicable plans and policies that apply to the discharges regulated by this Order and has established a monitoring and reporting program to determine compliance with the terms of the Order and to assure protection of water quality.
4. California Water Code section 13267 authorizes the Regional Water Board to require the discharger to submit technical and monitoring reports, provided that the burden, including costs, of the reports bears a reasonable relationship to the need for the reports and the benefit to be obtained from the reports. The need for the technical and monitoring reports required by this Order, including the Monitoring and Reporting Program, are based on the ROWD and the Final Engineering Report; the State Water Board DDW's Findings of Facts and Conditions (see section XI), CEQA, and other information in the Regional Water Board's files for the facility. The technical and monitoring reports are necessary to assure compliance with these waste discharge requirements and water recycling requirements. The burden, including costs, of providing the technical reports required by this Order bears a reasonable relationship to the need for the reports and the benefits to be obtained from the reports.
5. Pursuant to CWC Section 13320, any aggrieved person may seek review of this Order by filing a petition with the State Water Board in accordance with Title 23 California Code of Regulations, sections 2050-2068. A petition must be sent to the State Water Resources Control Board, P.O. Box 100, Sacramento, CA 95812,



within 30 days of adoption of this Order. The regulations are available at [http://www.waterboards.ca.gov/public\\_notices/petitions/water\\_quality/index.shtml](http://www.waterboards.ca.gov/public_notices/petitions/water_quality/index.shtml)  
 The State Water Board must receive the petition within 30 days of the date of this Order.

The Regional Water Board has notified the Navy and interested agencies and persons of its intent to issue WDRs/WRRs Order No. R4-2015-XXXX for the production, distribution and use of recycled water, and has provided an opportunity to submit comments.

The Regional Water Board, in a public meeting, heard and considered all comments pertaining to these WDRs/WRRs.

**THEREFORE, IT IS HEREBY ORDERED** that Order No. R4-2004-0057 is rescinded upon the effective date of this Order except for enforcement purposes, and, in order to meet the provisions contained in division 7 of the CWC (commencing with section 13000) and regulations and guidelines adopted thereunder, the Navy shall comply with the requirements in this Order.

**VIII. FINAL EFFLUENT LIMITATIONS**

1. Recycled water shall be disinfected secondary-23 or tertiary treated wastewater, as proposed.
2. The disinfected tertiary-treated recycled water shall not contain pollutants in the treated effluent downstream of the dechlorination basin in excess of the following limits listed in Table 4.

**Table 4. CONCENTRATIONS IN DISINFECTED TERTIARY EFFLUENT**

Constituents	Units	30-Day Average	7-Day Average	Daily Maximum
Biochemical Oxygen Demand (BOD <sub>5</sub> 20°C)	mg/L	20 <sup>1</sup>	---	45 <sup>1</sup>
Total Suspended Solids	mg/L	15 <sup>1</sup>	---	45 <sup>1</sup>
Oil and Grease	mg/L	10 <sup>1</sup>	---	15 <sup>1</sup>

3. The disinfected secondary-23 recycled water shall not contain pollutants in the effluent in excess of the following limits listed in Table 5.

**Table 5. CONCENTRATIONS IN DISINFECTED SECONDARY-23 EFFLUENT**

Constituents	Units	30-Day Average	7-Day Average	Daily Maximum
BOD <sub>5</sub> 20°C	mg/L	30	45	---
Total Suspended Solids	mg/L	30	45	---
Oil and Grease	mg/L	25	40	---

<sup>1</sup> This is a technology-based limit contained in similar orders for Publicly Owned Treatment Works (POTWs) indicative of treatment levels that are achievable by tertiary-treated wastewater treatment systems.

4. The pH of the disinfected tertiary-treated effluent used as recycled water shall at all times be within the range of 6.5 to 8.5 pH units.
5. The residual chlorine concentration of the effluent from the chlorine contact basin shall be no less than 5 mg/L at all times when the effluent is used as recycled water.
6. Reclaimed water shall not contain trace constituents or other substances in concentrations exceeding the limits contained in the current edition of DDW's Drinking Water Standards.
7. Disinfected tertiary-treated or secondary-23 effluent used as recycled water that could affect the receiving groundwater shall not contain any substances in concentrations toxic to human, animal, or plant life.
8. Recycled water shall not contain taste or odor-producing substances in concentrations that cause nuisance or adversely affect the beneficial uses of the receiving groundwater.

#### **IX. SPECIFICATIONS FOR RECYCLED WATER**

1. The treatment, storage, distribution, or use of recycled water shall not cause or contribute to a condition of pollution as defined in Water Code section 13050(l) or nuisance as defined in Water Code section 13050(m).
2. Recycled water shall be managed in conformance with the applicable regulations contained in the CCR Title 22 requirements.
3. The Recycled Water Producer or Distributor<sup>2</sup> shall collectively provide all users *disinfected secondary-23* or *disinfected tertiary recycled water*, as proposed, that meets the standards for recycled water, as described in CCR Title 22, Division 4, Chapter 3, Article 1, Sections 60301.225, 60301.230, and 60301.320.
4. Recycled water shall be retained in the areas of use and shall not be allowed to escape as surface flow except as provided for in an NPDES permit.
5. Recycled water shall not be used for uses other than those enumerated below unless a revised engineering report has been submitted to and approved by the Regional Water Board and DDW for such other uses and/or requirements for these uses have been prescribed by this Regional Water Board, in accordance with Section 13523 of the CWC.
6. All recycled water pipelines and valves shall be installed with purple identification tape or purple polyethylene vinyl wraps in accordance with the American Water Works Association (AWWA) California-Nevada Section guidelines and the California Health and Safety Code, Division 104, Part 12, Chapter 5.

---

<sup>2</sup> The Distributor may be a recycled water wholesaler, retail water supplier, or retailer as defined in CWC Division 7, Chapter 7.5, Section 13575, the *Water Recycling Act of 1991*.

7. Prior to operating any system for producing recycled water, **only** pipes conveying recycled water shall be purple and all recycled water storage tanks shall be labeled for either tertiary-treated or secondary-23 recycled water.
8. Disinfected Secondary-23 Recycled Water  
Recycled water used for the following shall be at least disinfected secondary-23 recycled water:
  - A. Secondary-23 recycled water truck fill station
  - B. Soil compaction;
  - C. Mixing concrete;
  - D. Backfill consolidation around non-potable piping;
  - E. Dust control; and
  - F. Flushing sanitary sewers.
9. Disinfected Tertiary Recycled Water  
Recycled water used for the following shall be at least disinfected tertiary recycled water:
  - A. The five dual-plumbed BEQs (Buildings 61021, 61022, 61023, 61024, and 60193);
  - B. Two new decorative fountains outside BEQs 61021 and 61022;
  - C. Tertiary recycled water truck fill station;
  - D. Upon approval of the necessary engineering plans by the Executive Officer of the Regional Water Board, recycled water may be used for the following:
    - i. landscape irrigation;
    - ii. grading;
    - iii. routine wildfire and brush fire fighting activities;
    - iv. weapons range uses including washing targets and target areas, dust control, target buffers and impactors); and
    - v. facility and vehicle washing.

#### **X. SPECIFICATIONS AND REQUIREMENTS FOR DUAL-PLUMBED SYSTEMS**

1. "Dual plumbed" means a system that utilizes separated piping systems for recycled water and potable water within a facility and where the recycled water is used for either of the following purposes:
  - A. To serve plumbing outlets (excluding fire suppression systems) within a building, or
  - B. Outdoor landscape irrigation at individual residences.

2. The public water supply shall not be used as a backup or supplemental source of water for a dual-plumbed recycled water system unless the connection between the two systems is protected by an air gap separation which complies with the requirements of CCR Title 17, Division 1, Chapter 5, Subchapter 1, Group 4, Article 2, Sections 7602 (a) and 7603 (a), and that such connection has been approved by DDW and/or its delegated local agency.
3. The Navy shall not deliver recycled water to a facility using a dual-plumbed system unless the report of recycled water use, required pursuant to Section 13522.5 of the CWC, and which meets the requirements set forth in this Order, has been submitted and approved by DDW and/or its delegated local agency. The Regional Water Board shall be furnished with a copy of DDW approval together with the aforementioned report within 30 days following the approval.
4. The report of recycled water use, submitted pursuant to Section 13522.5 of the CWC, shall contain the following information for dual-plumbed systems, in addition to the information required by CCR Title 22, Division 4, Chapter 3, Article 7, Section 60323 (Engineering Report):
  - A. A detailed description of the intended use site identifying the following:
    - i. The number, location, and type of facilities within the use area proposing to use dual-plumbed systems;
    - ii. The average number of persons estimated to be served by each facility on a daily basis;
    - iii. The specific boundaries of the proposed use site including a map showing the location of each facility to be served;
    - iv. The person or persons responsible for operation of the dual-plumbed system at each facility; and,
    - v. The specific use to be made of the recycled water at each facility.
  - B. Plans and specifications describing the following:
    - i. Proposed piping system to be used;
    - ii. Pipe locations of both the recycled and potable systems;
    - iii. Type and location of the outlets and plumbing fixtures that will be accessible to the public; and,
    - iv. The methods and devices to be used to prevent backflow of recycled water into the public water system.
  - C. The methods to be used by the Navy to assure that the installation and operation of the dual-plumbed system will not result in cross connections between the recycled water piping system and the potable water piping system. These shall include a description of pressure, dye or other test methods to be used to test the system every four years.
5. Prior to the initial operation of the dual-plumbed recycled water system and annually thereafter, the dual-plumbed system within each facility and use site shall be inspected for possible cross connections with the potable water system. The recycled water system shall also be tested for possible cross connections at least

once every four years. The testing shall be conducted in accordance with the method described in Section X.4.C. of this Order. The inspections and the testing shall be performed by a cross connection control specialist certified by the California-Nevada Section of the AWWA or an organization with equivalent certification requirements. A written report documenting the result of the inspection and testing for the prior year shall be submitted to DDW within 30 days following completion of the inspection or test.

6. The Navy shall notify DDW of any incidence of backflow from the dual-plumbed recycled water system into the potable water system within 24 hours of discovery of the incident.
7. Any backflow prevention device installed to protect the public water system serving the dual-plumbed recycled water system shall be inspected and maintained in accordance with CCR Title 17, Division 1, Chapter 5, Subchapter 1, Group 4, Article 2, Section 7605.

#### **XI. DDW SPECIFICATIONS FOR TREATMENT**

1. Disinfected secondary-23 recycled water shall be oxidized and disinfected so that the median concentration of total coliform bacteria in the disinfected effluent does not exceed a MPN of 23 per 100 milliliters utilizing the bacteriological results of the last seven days for which analyses have been completed, and the number of total coliform bacteria does not exceed an MPN of 240 per 100 milliliters in more than one sample in any 30 day period.
2. The tertiary filtered wastewater shall be disinfected by either:
  - A. A chlorine disinfection process following filtration that provides a chlorine contact time (CT); the product of total chlorine residual and modal contact time measured at the same point) value of not less than 450 milligram-minutes per liter at all times with a modal contact time of at least 90 minutes, based on peak dry weather design flow; or
  - B. A disinfection process that, when combined with the filtration process, has been demonstrated to inactivate and/or remove 99.999 percent of the plaque-forming units of F-specific bacteriophage MS2, or polio virus in the wastewater. A virus that is at least as resistant to disinfection as the polio virus may be used for purposes of the demonstration.
3. In addition to meeting the disinfection requirements for secondary-23 recycled water (section XI.1), the disinfected tertiary-treated recycled water shall also not exceed an MPN of 2.2 per 100 mL utilizing the bacteriological results of the last seven days for which analyses have been completed.
4. Before tertiary recycled water can be delivered to the recycled water system, the Navy must submit a copy of the San Clemente Island Recycled Water System Operation and Maintenance (O&M) Manual for the wastewater treatment plant, recycled water distribution system, and the recycled water use sites to DDW and the Regional Water Board for review and approval.

5. The O&M manual must demonstrate that CT requirements for disinfected tertiary recycled water will be met at all times either by using a control system with on-line chlorine residual monitoring and on-line water level monitoring or by maintaining a minimum chlorine residual and minimum water level with an alarm for each.
6. Disinfected tertiary recycled water shall be sampled at least once daily for total coliform bacteria. The samples shall be collected from the storage tank effluent and analyzed by an approved laboratory.
7. Disinfected tertiary recycled water shall be continuously sampled for turbidity using a continuous turbidimeter and recorder following filtration. Compliance with turbidity pursuant to CCR section 60301.320 (b)(1) shall be determined using the levels of recorded turbidity taken at intervals of no more than 1.2 hours over a 24 hour period. Should the continuous turbidimeter and recorder fail, grab sampling at a minimum frequency of 1.2 hours may be substituted for a period of up to 24 hours. The results of the daily average turbidity determinations shall be reported quarterly to the Regional Water Board.
8. The turbidity levels for filtered wastewater shall not exceed any of the following:
  - A. An average of 2 NTU within a 24-hour period;
  - B. 5 NTU more than 5 percent of the time within a 24-hour period; and
  - C. 10 NTU at any time.
9. The peak flow rate for the chlorine contact chamber, wet well pump station, and storage tank effluent limited to 45 gallons per minute or as specified in the approved O&M manual.
10. For new recycled water uses and the use sites in addition to those described in the Engineering Report and changes to existing water uses and use sites: soil compaction, mixing concrete, dust control, flushing sanitary sewers, the two decorative fountains located outside BEQs 61021 and 61022, the five dual plumbed BEQs 61021, 61022, 61023, 61024, and 60193; the Navy must first submit a plan to DDW and the Los Angeles County Department of Public Health (County) for review and approval before any additions or changes are made.
11. Initial inspection and cross-connection testing and subsequent annual inspection and four-year cross connection testing must be approved by the County. Annual inspections and four-year cross-connection testing frequency for non-dual plumbed recycled water use sites will be determined on a case-by-case basis and will be described in an approval letter for each site.
12. Inspection and cross-connection testing reports must be submitted to DDW within 30 days after the inspection or test.
13. Inspection and cross-connection testing shall be performed by a cross connection control specialist certified by the California-Nevada section of the American Water Works Association or an organization with equivalent certification requirements.

14. All backflow prevention assemblies must be field tested following installation, repair, or relocation and at least annually thereafter. All required field testing shall be performed by persons who are certified in the testing of backflow prevention assemblies by California-Nevada section of the American Water Works Association, the American Backflow Prevention Association, or an organization with equivalent certification requirements.
15. Recycled water used for facilities, vehicles, and weapons range washing must not be heated.
16. Workers and firefighters that could have contact with water mist or spray while using recycled water must have at least level C Personal Protection Equipment (PPE). Except those having appropriate PPE and safety training, no persons are allowed to access areas where they could come into contact with water mist or spray.
17. Water trucks used for carrying drainage water due to WWTP failure must be flushed and rinsed with treated water after the event before returning to normal operation.
18. Warning signage must distinguish between disinfected tertiary recycled water and disinfected secondary-23 recycled water.
19. Recycled water produced from the secondary-23 WWTP can only be used for soil compaction, mixing concrete, backfill consolidation around non-potable piping, dust control, and flushing sanitary sewers.
20. DDW requires that Navy notify DDW in instances of treatment process failures and/or non-compliance with the above requirements by the same means and under the same conditions as the Navy would notify the Regional Water Board. Any discharge of untreated or partially treated wastewater to the use area, or the cessation of same, shall be reported immediately by telephone to the Regional Water Board, DDW, and the local County health officer.
21. DDW requires that operating and certification records, and reports be maintained at the SCI WWTP (hard copy or electronic format) for all analyses specified in the recycling criteria; all records of backflow prevention assembly field tests; records of operational problems; plant and equipment breakdowns; diversions to emergency storage or disposal; corrective or preventative action taken; and, process or equipment failures, time and cause of those failures, and corrective actions taken.

## **XII. USE AREA<sup>3</sup> REQUIREMENTS**

1. Application of recycled water to the use area shall be at reasonable agronomic rates and shall consider soil, climate, and nutrient demand. Application rates shall ensure that a nuisance is not created.

---

<sup>3</sup> "Use area" is an area of recycled water use with defined boundaries, which may contain one or more facilities where recycled water is used.

2. For each new/proposed recycled water use area, a use site report that addresses compliance with the following use area requirements and includes results of a completed shut-down test and use site agreements that may exist between all agencies involved in the generation, distribution, and/or use of recycled water from SCI WWTP shall be submitted to the Regional Water Board and to DDW for approval prior to the use of recycled water at each new/proposed use site.
3. For existing recycled water use areas, use site reports that address compliance with the following use area requirements and include results of a completed shut-down test, and use site agreements that may exist between all agencies involved in the generation, distribution, and/or use of recycled water from SCI WWTP shall be submitted to the Regional Water Board and to DDW within six months of the adoption of this Order.
4. The use and distribution of recycled water shall comply with DDW's CCR, Title 22, Division 4, Chapter 3 - *Water Recycling Criteria*; and the CCR, Title 17, Division 1, Chapter 5, Subchapter 1, Group 4, Cross-Connection Control Requirements.
5. No physical connection shall be made or allowed to exist between any recycled water system and any separate system conveying potable water. All back-up/auxiliary potable supplies shall discharge through approved air-gaps or swivel-ell connections with approved backflow prevention on the potable supply line. Back-up/auxiliary supply piping plans shall be submitted and reviewed by DDW. A certified tester shall test all backflow devices annually. Air gaps shall be at least twice the pipe diameter and be located above ground. Swivel-ell connections shall be controlled by the domestic water supplier. The use site agreements shall include conditions that clarify the control and operation of swivel-ell connections.
6. The *AWWA Guidelines for the Distribution of Non-Potable Water* needs to be followed, including purple pipe, adequate signs, etc. Adequate separation of at least 4-foot horizontal and 1-foot vertical separation shall be provided between recycled water lines and domestic potable water lines when buried.
7. Plans and maps showing domestic water lines and recycled water lines at each use site shall be maintained. The lines must be marked clearly and labeled as domestic water lines and recycled water lines. Shut-down tests may be needed to demonstrate that cross-connections do not exist.
8. Supervisors must be appointed for the recycled water use areas and their staff must be trained on the hazards of working with recycled water and periodically retrained.
9. Recycled water use areas shall be inspected by the reclaimed water provider.
10. No impoundment of *disinfected recycled water* shall occur within 100 feet of any domestic water supply well.
11. No irrigation with *disinfected recycled water* shall take place within 50 feet of any domestic water supply well unless all of the following conditions have been met:



- A. A geological investigation demonstrates that an aquitard exists at the well between the uppermost aquifer being drawn from and the ground surface;
  - B. The well contains an annular seal that extends from the surface into the aquitard;
  - C. The well is housed to prevent any recycled water spray from coming into contact with the wellhead facilities;
  - D. The ground surface immediately around the wellhead is contoured to allow surface water to drain away from the well; and,
  - E. The owner of the well approves of the elimination of the buffer zone requirement.
12. Any irrigation runoff shall be confined to the recycled water use area, unless the runoff does not pose a public health threat and is authorized by the Regulatory Agency<sup>4</sup>.
  13. Spray, mist, or runoff shall not enter dwellings, designated outdoor eating areas, or food handling facilities. Drinking water fountains shall be protected against contact with recycled water spray, mist, or runoff.
  14. Recycled water use should be limited to hours when public is not present.
  15. Recycled water shall not be used for irrigation during periods when soils are saturated.
  16. Incidental runoff from land application of recycled water shall be controlled through the following practices:
    - A. Implementation of an operations and management plan that may apply to multiple sites and provides for detection of leaks, (for example, from broken sprinkler heads), and correction either within 72 hours of learning of the runoff, or prior to the release of 1,000 gallons, whichever occurs first,
    - B. Proper design and aim of sprinkler heads,
    - C. Refraining from application during precipitation events, and
    - D. Management of any ponds containing recycled water such that no discharge occurs unless the discharge is a result of a 25-year, 24-hour storm event or greater, and there is notification of the appropriate Regional Water Board Executive Officer of the discharge, unless the discharge is otherwise regulated

---

<sup>4</sup> CCR Title 22, Division 4, Chapter 3, Article 1, defines "Regulatory agency" as the California Regional Water Quality Control Board(s) that have jurisdiction over the recycling plant and use areas.

pursuant to an NPDES permit.

17. All use areas that are accessible to the public shall be posted with signs that are visible to the public. The size shall be no less than 4 inches high by 8 inches wide, and shall include the following wording: "RECYCLED WATER – DO NOT DRINK". Each sign shall display an international symbol similar to that shown in CCR Title 22, Division 4, Chapter 3, Article 4, Section 60310-A, (See Figure 5). Alternative signage and wording, or an educational program, may be acceptable on a case-by-case basis, provided the use site demonstrates to the Regional Water Board and to DDW that the alternative approach will assure an equivalent degree of public notification.
18. There shall be no public contact with recycled water. No hose bibs shall be present on portions of the recycled water piping system that are subject to access by the general public. Only quick couplers that differ from those used on the potable water system shall be used in such areas. Hose bibs at existing use sites need to be retrofitted immediately.

### **XIII. GENERAL REQUIREMENTS**

1. Recycled water shall not be used for direct human consumption or for the processing of food or drink intended for human consumption.
2. Bypass, discharge, or delivery to the use area of inadequately treated recycled water, at any time, is prohibited.
3. The recycling facility shall be adequately protected from inundation and damage by storm flows.
4. Recycled water use or disposal shall not result in earth movement in geologically unstable areas.
5. Adequate freeboard and/or protection shall be maintained in the recycled water storage tanks and process tanks to ensure that direct rainfall will not cause overtopping.
6. The wastewater treatment and use of recycled water shall not result in problems caused by breeding of mosquitoes, gnats, midges, or other pests.
7. Odors of sewage origin shall not be perceivable at any time outside the boundary of the treatment facility.
8. The Navy shall, at all times, properly operate and maintain all treatment facilities and control systems (and related appurtenances) which are installed or used by the Navy to achieve compliance with the conditions of this Order. Proper operation and maintenance includes effective performance, adequate funding, adequate operator staffing and training, and adequate laboratory and process controls (including appropriate quality assurance procedures).

9. A copy of these requirements shall be maintained at the water reclamation facility so as to be available at all times to operating personnel.
10. The Navy shall furnish each user of recycled water a copy of these requirements and ensure that the requirements are maintained at the user's facility so as to be available at all times to operating personnel.
11. Supervisors and operators of this federally owned wastewater treatment facility shall possess a certificate of appropriate grade as specified in CCR Title 23, Chapter 3, Subchapter 14, Sections 2455 and 2460.
12. For any material change or proposed change in character, location, or volume of recycled water, or its uses, the Navy shall submit at least 120 days prior to the proposed change an engineering report or addendum to the existing engineering report to the Regional Water Board and DDW (pursuant to CWC Division 7, Chapter 7, Article 4, Section 13522.5 and CCR Title 22, Division 4, Chapter 3, Article 7, Section 60323) for approval. The Engineering Report shall be prepared by a qualified engineer registered in California. This updated engineering report shall describe the current treatment plant, the impacts on the recycled water operation, and contain the operation and maintenance management plan, including a preventive (fail-safe) procedure and contingency plan for controlling accidental discharge and/or delivery to users of inadequately treated recycled water.

#### **XIV. PROVISIONS**

1. The Navy shall continue to submit plans for proposed and as-built drawings for recycled water projects (including uses and use sites) to and obtain approval from DDW or its delegated local health agency for each recycled water project. The *AWWA Guidelines for the Distribution of Non-Potable Water* shall be followed, including installation of purple pipe, adequate signs, etc. As-built drawings shall show the final locations of the potable water, sewer, and recycled water pipelines, and indicate adequate separation between the recycled water and potable domestic water lines, both of which shall also be marked clearly or labeled using separate colors for identification. In addition, a copy of each application to DDW for a recycled water project shall be delivered to the Regional Water Board for inclusion in the administrative file with the following information:
  - A. A description of each use area including, but not limited to, a description of what will be irrigated (e.g., landscape, specific food crop, etc.); method of irrigation (e.g., spray, flood, or drip); the location of domestic water supply facilities adjacent to the use areas; site containment measures; the party responsible for the distribution and use of the recycled water at the site; and, identification of other governmental entities which may have regulatory jurisdiction over the reuse site(s); and,
  - B. A map showing specific areas of use, areas of public access, surrounding land uses, the location and construction details of wells in or near the use areas, the location and type of signage, the degree of potential access by employees or the public, and any exclusionary measures (e.g. fencing). The Navy shall submit to the Regional Water Board a copy of the approved recycled water

Project for the recycled water distribution system and DDW approval within 30 days of approval.

2. For any extension or expansion of the recycled water system or use areas not covered by the Recycled Water Plan, the Navy shall submit a report detailing the extension or expansion plan for approval by DDW or its delegated local health agency. The plan shall include, but not be limited to, the information specified in Sections XIV.1.A. and B., above. Following construction, as-built drawings shall be submitted to DDW or its delegated local health agency for approval prior to delivery of recycled water. The Navy shall submit to the Regional Water Board a copy of the approved expansion plan and DDW approval within 30 days of approval.
3. If the recycled water system lateral pipelines are located on an easement contiguous to a homeowner's private property and where there is a reasonable probability that an illegal or accidental connection to the recycled water line could be made, the Navy shall provide a buffer zone or other necessary measures between the recycled water lines and the easement to prevent any illegal or accidental connection to the recycled water lines. The Navy shall notify homeowners about the recycled water lateral and restrictions on usage of recycled water.
4. The Navy shall inspect the recycled water use areas on a periodic basis. The Navy shall propose an inspection schedule, based the type of use site, for approval by DDW within 90 days of the effective date of this permit. A report of findings of the inspection shall be submitted to DDW, the County Health Department, and the Regional Water Board on a quarterly basis.
5. The Navy shall submit to the Regional Water Board, under penalty of perjury, technical self-monitoring reports according to the specifications contained in the Monitoring and Reporting Program, as directed by the Executive Officer.
6. The Navy shall notify this Regional Water Board and DDW by telephone or electronic means within 24 hours of knowledge of any violations of recycled water use conditions or any adverse conditions as a result of the use of recycled water from this facility; written confirmation shall follow within 5 working days from date of notification. The report shall include, but not be limited to, the following information, as appropriate:
  - A. The nature and extent of the violation;
  - B. The date and time when the violation started; when compliance was achieved; and, when injection was suspended and restored, as applicable;
  - C. The duration of the violation;
  - D. The cause(s) of the violation;
  - E. Any corrective and/or remedial actions that have been taken and/or will be taken with a time schedule for implementation to prevent future violations; and,
  - F. Any impact of the violation.

7. The Navy shall notify this Regional Water Board and DDW, immediately by telephone, of any confirmed coliform counts that could cause a violation of the requirements. If no one answers the phone, the Navy shall leave a voicemail and send an e-mail to the necessary contacts. This information shall be confirmed in the next monitoring report. For any actual coliform limit violation that occurred, the report shall also include the cause(s) of the high coliform counts, the corrective measures undertaken (including dates thereof), and the preventive measures undertaken to prevent a recurrence.
8. The direct use of Title 22 tertiary-treated and disinfected recycled water for irrigation could affect the public health, safety, or welfare; requirements for such uses are, therefore, necessary in accordance with CWC Division 7, Chapter 7, Article 4, Section 13523.
9. This Order does not exempt the Navy from compliance with any other laws, regulations, or ordinances which may be applicable; it does not legalize the recycling and use facilities; and it leaves unaffected any further constraint on the use of recycled water at certain site(s) that may be contained in other statutes or required by other agencies.
10. This Order does not alleviate the responsibility of the Navy to obtain other necessary local, state, and federal permits to construct facilities necessary for compliance with this Order; nor does this Order prevent imposition of additional standards, requirements, or conditions by any other regulatory agency. Expansion of the recycled water distribution facility shall be contingent upon issuance of all necessary requirements and permits, including a conditional use permit.
11. After notice and opportunity for a hearing, this Order may be modified, revoked and reissued, or terminated for cause, including but not limited to, failure to comply with any condition in this Order; endangerment of human health or environment resulting from the permitted activities in this Order; obtaining this Order by misrepresentation or failure to disclose all relevant facts; or, acquisition of new information that could have justified the application of different conditions if known at the time of Order adoption. The filing of a request by the Navy for modification, revocation and reissuance, or termination of the Order or a notification of planned changes or anticipated noncompliance does not stay any condition of this Order.
12. The Navy shall furnish, within a reasonable time, any information the Regional Water Board or DDW may request to determine whether cause exists for modifying, revoking and reissuing, or terminating this Order. The Navy shall also furnish the Regional Water Board, upon request, with copies of records required to be kept under this Order for at least three years.
13. In an enforcement action, it shall not be a defense for the Navy that it would have been necessary to halt or to reduce the permitted activity in order to maintain compliance with this Order. Upon reduction, loss, or failure of the treatment facility, the Navy shall, to the extent necessary to maintain compliance with this Order, control production or all discharges, or both, until the facility is restored or an alternative method of treatment is provided. This provision applies, for example,

when the primary source of power of the treatment facility fails, is reduced, or is lost.

14. This Order includes the attached *Standard Provisions Applicable to Waste Discharge Requirements* (Attachment B). If there is any conflict between the provisions stated hereinbefore and the Standard Provisions, the provisions stated hereinbefore shall prevail.
15. This Order includes the attached Monitoring and Reporting Program No. CI-8734. If there is any conflict between provisions stated in the Monitoring and Reporting Program and the Standard Provisions, those provisions stated in the Monitoring and Reporting Program prevail.

**XV. REOPENER**

This Order may be reopened to include the most scientifically relevant and appropriate limitations for this recycling facility, including (1) Antidegradation studies, or other Board Policy or (2) the application of an attenuation factor based upon an approved site-specific attenuation study conducted by the Navy.

**XVI. EFFECTIVE DATE OF THE ORDER**

This Order takes effect upon its adoption.

I, Samuel Unger, Executive Officer, do hereby certify that the foregoing is a full, true, and correct copy of an Order adopted by the Regional Water Board, Los Angeles Region on May 14, 2015.

Samuel Unger, P.E.  
Executive Officer

FIGURE 1 -PROCESS FLOW DIAGRAM PART 1 OF 3

**SYMBOLS & ABBREVIATIONS**

- ⊘ = CHECK VALVE
- ⊘ = GATE VALVE
- ∩ = NON-INTERSECTING PIPES
- = FLOW DIRECTION
- PCP = PROGRESSIVE CAVITY PUMP
- LET = LOAD EQUALIZATION TANK

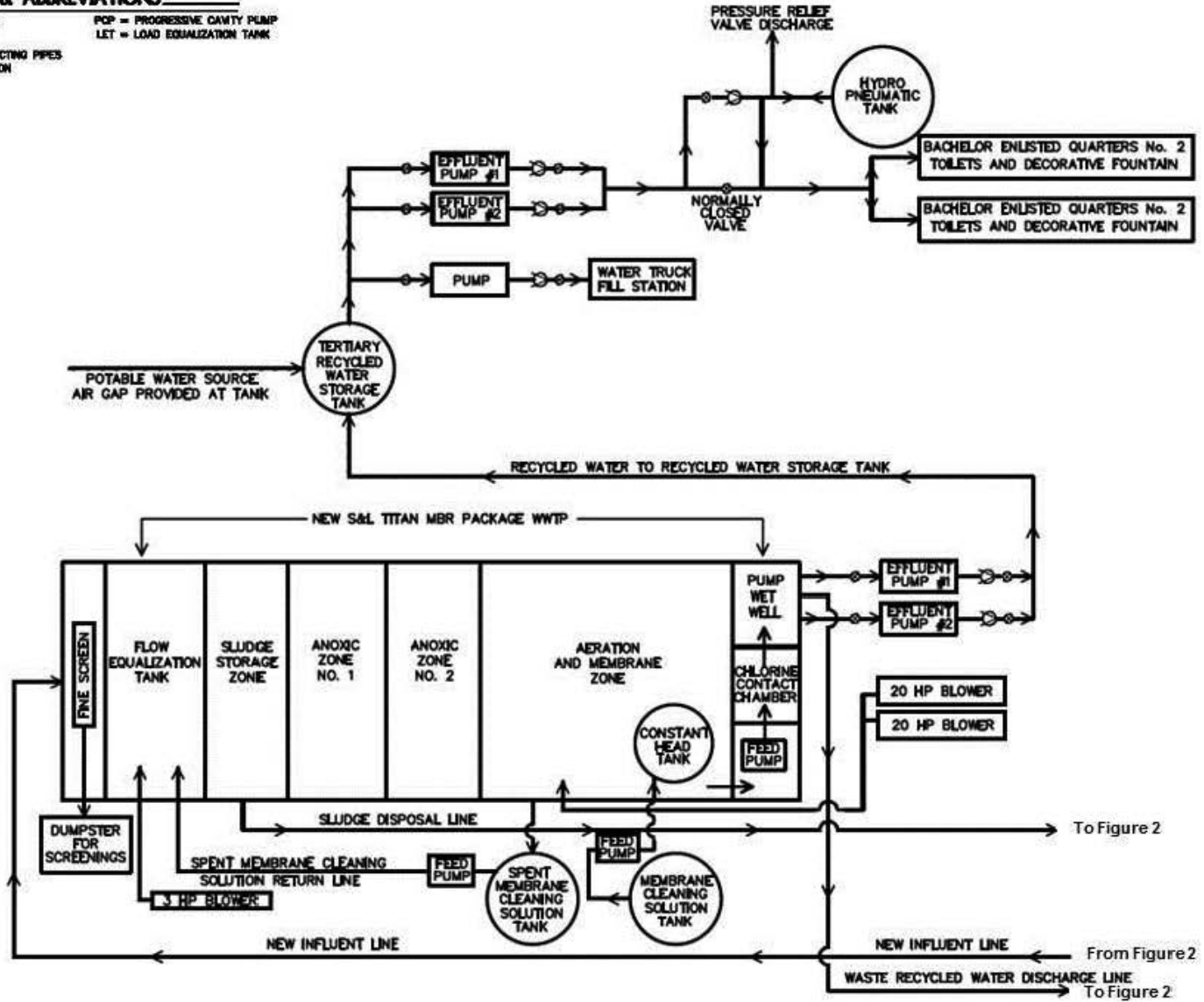


FIGURE 2 – PROCESS FLOW DIAGRAM PART 2 OF 3

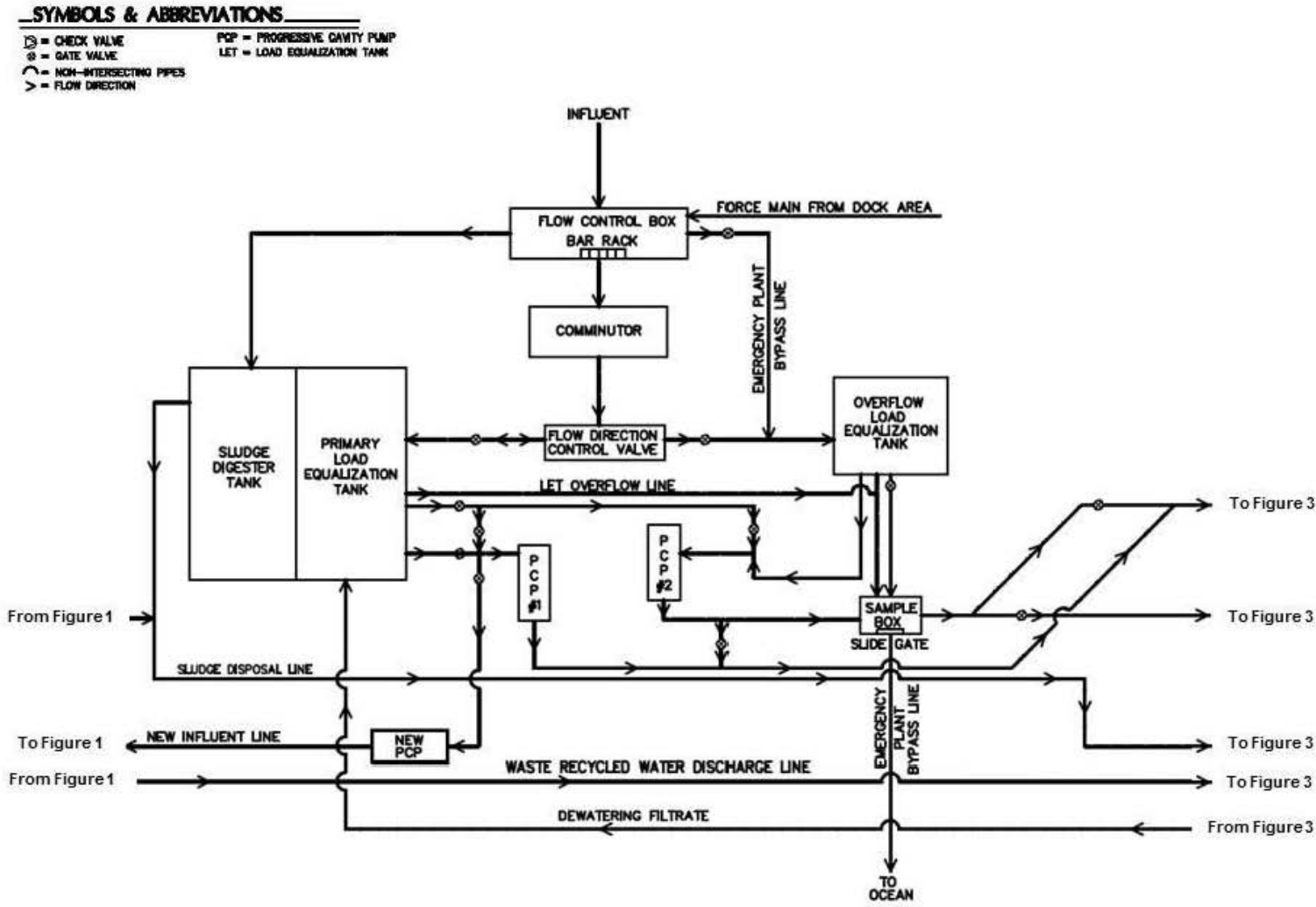
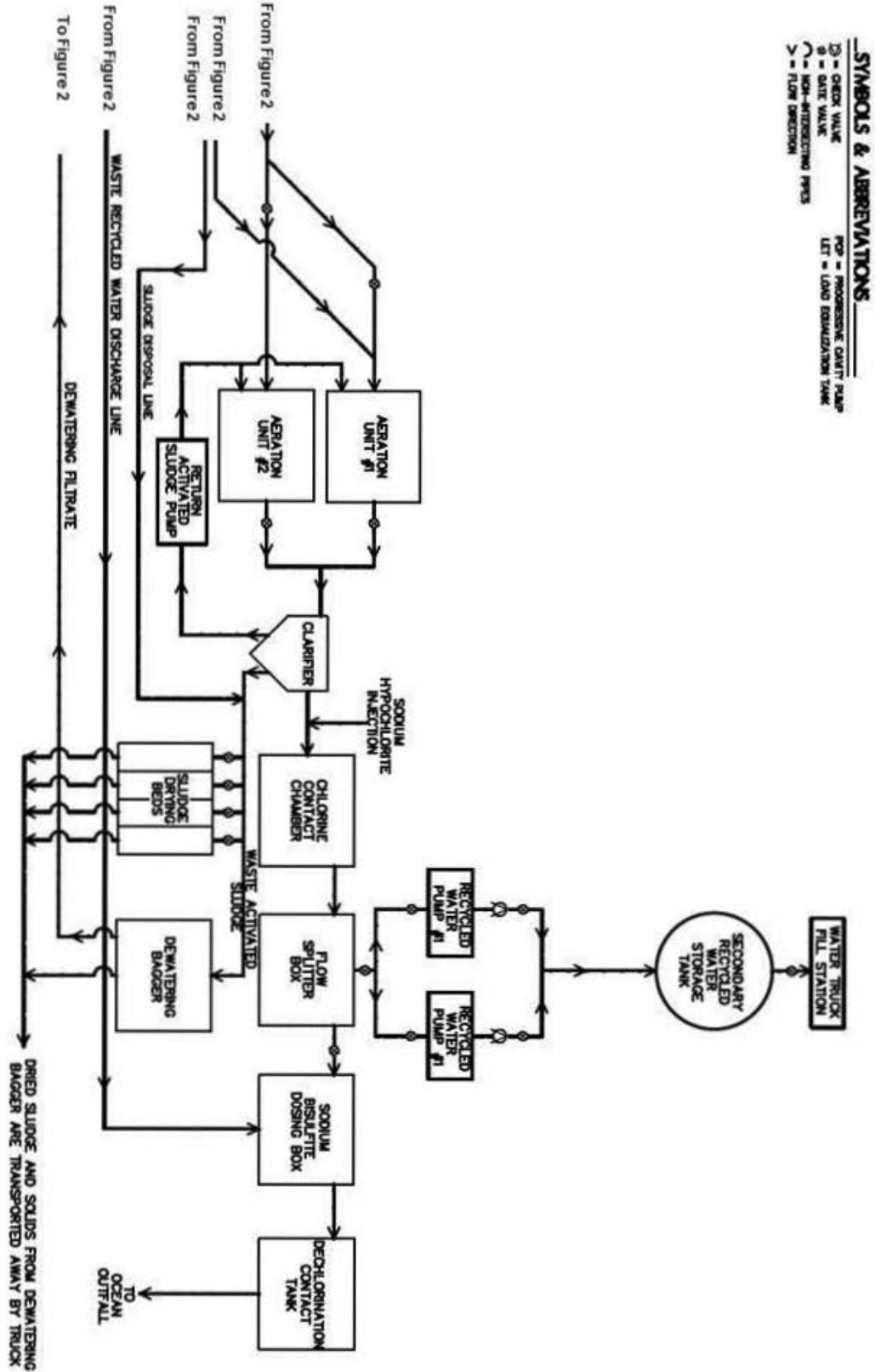




FIGURE 3 – PROCESS FLOW DIAGRAM PART 3 OF 3

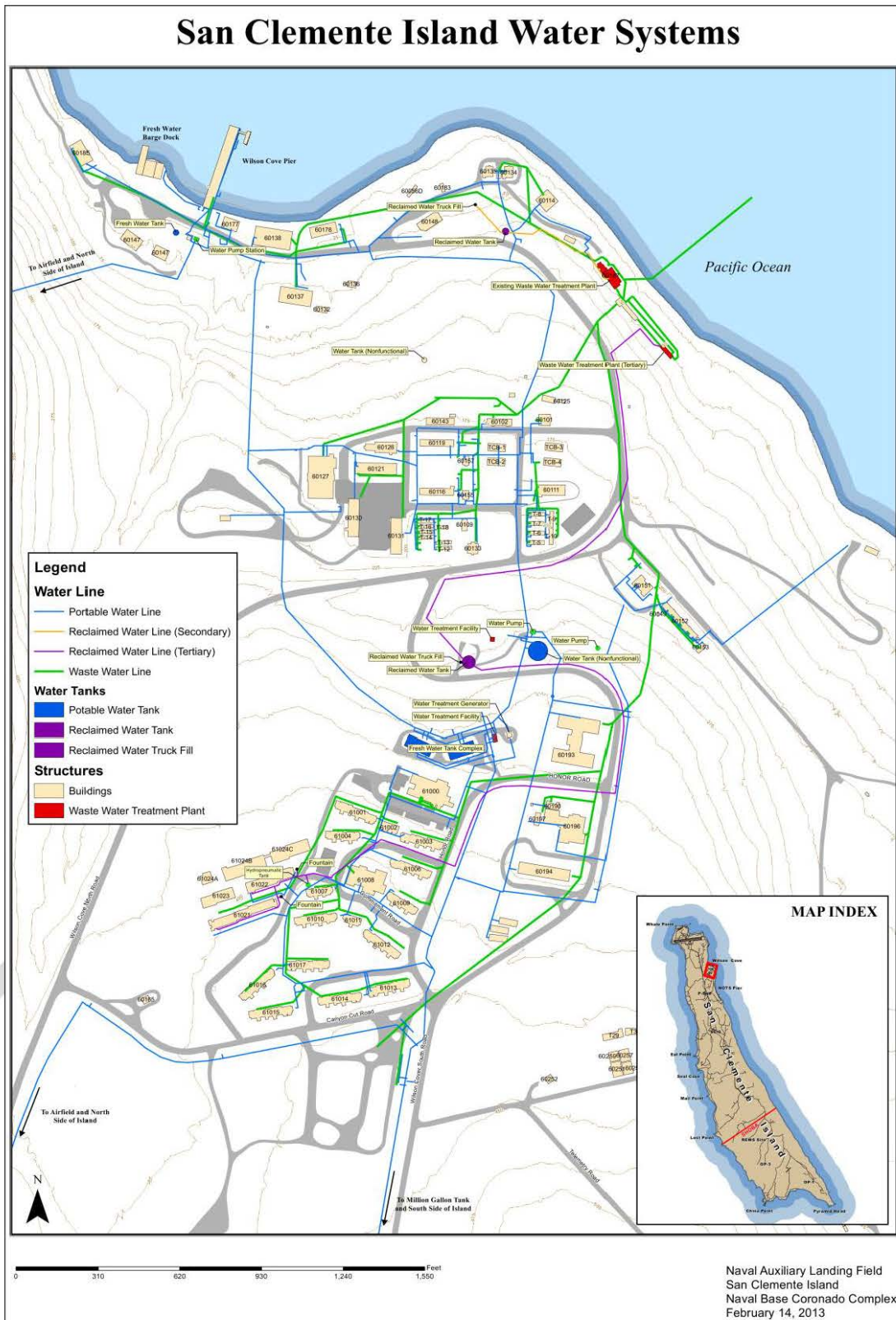


**SYMBOLS & ABBREVIATIONS**

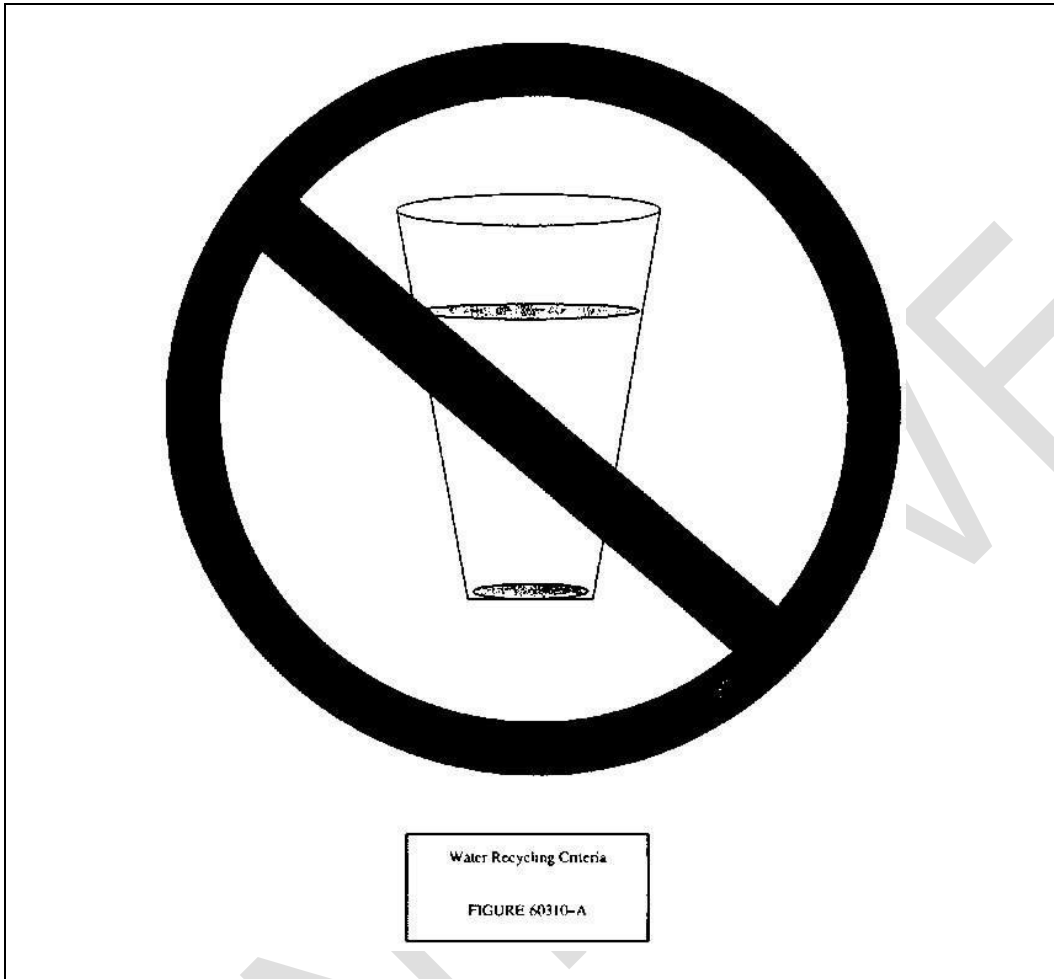
○ = OPEN VALVE  
 ⊗ = SHUT VALVE  
 ⊕ = NON-RETURNING PIPES  
 > = FLOW DIRECTION

POP = PROGRESSIVE CONTROL PUMP  
 LET = LEAD EQUALIZATION TANK

**FIGURE 4 – RECYCLED WATER SYSTEM**



**FIGURE 5 – WATER RECYCLING CRITERIA**



**CALIFORNIA REGIONAL WATER QUALITY CONTROL BOARD  
LOS ANGELES REGION**

**MONITORING AND REPORTING PROGRAM (CI-8734)  
(File No. 04-035)**

**TITLE 22 WATER RECYCLING REQUIREMENTS**

**FOR**

**WASTE DISCHARGE REQUIREMENTS  
AND  
TITLE 22 WATER RECYCLING REQUIREMENTS**

**ISSUED TO**

**UNITED STATES NAVY  
NAVAL AUXILIARY LANDING FIELD (NALF), SAN CLEMENTE ISLAND  
(San Clemente Island Wastewater Treatment Plant)**

**Contents**

<b>I. GENERAL MONITORING REQUIREMENTS.....</b>	<b>2</b>
<b>II. RECYCLED WATER MONITORING.....</b>	<b>3</b>
<b>III. RECYCLED WATER USE MONITORING.....</b>	<b>5</b>
<b>IV. GENERAL REPORTING REQUIREMENTS.....</b>	<b>5</b>

**Tables**

<b>Table M1. TITLE 22 RECYCLED WATER MONITORING.....</b>	<b>4</b>
--	----------

### **MONITORING AND REPORTING PROGRAM (MRP) CI-8734**

This Monitoring and Reporting Program is issued by the Regional Water Quality Control Board, Los Angeles Region (Regional Water Board) pursuant to California Water Code section 13267(b)(1), which authorizes the Regional Water Board to require the submittal of technical and monitoring reports. The reports required by this MRP are necessary to ensure compliance with Waste Discharge Requirements and Water Recycling Requirements Order No. R4-2015-XXXX for the San Clemente Island Wastewater Treatment Plant (SCI WWTP). The United States Navy (Navy or Permittee) owns and operates the SCI WWTP and the recycled water distribution system, respectively, and is therefore, responsible for compliance with Order No. R4-2015-XXXX. The Navy shall implement this MRP on the effective date of this Order. Failure to comply with this MRP could result in the imposition of monetary civil liability pursuant to Division 7 of the California Water Code and other applicable laws.

#### **I. GENERAL MONITORING REQUIREMENTS**

1. Whenever possible, quarterly monitoring shall be performed during the months of January, April, July, and October; semiannual monitoring shall be performed during the months of May and November; and annual monitoring shall be performed during the third quarter (July, August, or September) of each calendar year. Should there be instances when monitoring could not be done during the specified months, the Permittee shall notify the Regional Water Board, state the reason why the monitoring could not be conducted, and obtain approval from the Executive Officer for an alternate schedule. Results of quarterly, semiannual and annual analyses shall be reported in the quarterly monitoring report following the analysis. If the use of recycled water does not occur during that monitoring period, the Permittee shall collect a sample during the next reuse event. If there is no use of recycled water during the reporting period, the report shall so state. Monitoring reports shall continue to be submitted to the Regional Water Board, regardless of whether or not there was a use of recycled water.
2. Monitoring shall be used to determine compliance with the requirements of this Order. A monitoring and reporting plan shall include, but not be limited to, the following:
  - A. Sampling protocols (as specified in 40 CFR Part 136 or American Water Works Associations (AWWA) standards where appropriate) and chain of custody procedures.
  - B. Laboratory or laboratories, which conducted the analyses. Include copy or copies of laboratory certifications by the California Health Services Environmental Laboratory Accreditation Program (ELAP) every year or when the Navy changes their contract laboratory.
  - C. Analytical test methods used and the corresponding Reporting Detection Limits (RDLs).
  - D. Quality assurance and control measures.
3. The samples shall be analyzed using analytical methods described in 40 CFR Part

136; or where no methods are specified for a given pollutant, by methods approved by the State Water Resources Control Board, Division of Drinking Water (DDW), the Regional Water Board and/or the State Water Resources Control Board (State Water Board). The Permittee shall select the analytical methods that provide RDLs lower than the limits prescribed in this Order. Every effort should be made to analyze pollutants using the lowest RDL possible.

4. The Permittee shall instruct its laboratories to establish calibration standards so that the RDLs (or equivalent if there is a different treatment of samples relative to calibration standards) are the lowest calibration standard. At no time shall the analytical data be derived from extrapolation beyond the lowest point of the calibration curve.
5. Upon request by the Permittee, the Regional Water Board, in consultation with DDW and the State Water Board Quality Assurance Program, may establish RDLs, in any of the following situations:
  - A. When the pollutant has no established method under 40 CFR 136;
  - B. When the method under 40 CFR 136 for the pollutant has a RDL higher than the limit specified in this Order; or
  - C. When the Permittee agrees to use a test method that is more sensitive than those specified in 40 CFR Part 136.
6. The laboratory conducting the analyses shall be certified by ELAP or approved by DDW, the Regional Water Board, or the State Water Board for a particular pollutant or parameter.
7. Recycled water samples must be analyzed within allowable holding time limits specified in 40 CFR Part 136.3. All quality assurance / quality control (QA/QC) analyses must be run on the same dates when samples are actually analyzed. The Permittee shall make available for inspection and/or submit the QA/QC documentation upon request by Regional Water Board or DDW staff. Proper chain of custody procedures must be followed, and a copy of that documentation shall be submitted with the quarterly report.
8. For all bacterial analyses, sample dilutions shall be performed so the range of values extends from 1 to 800. The detection methods used for each analysis shall be reported with the results of the analyses.

## II. RECYCLED WATER MONITORING

A sampling station(s) shall be established where representative samples of recycled water can be obtained. For this recycling project, disinfected tertiary and secondary-23 recycled water samples shall be obtained from the SCI WWTP effluent downstream from the chlorine contact basin. Should there be any change in the sampling station, the proposed station shall be approved by the Executive Officer prior to its use. The following shall constitute the recycled water monitoring program:

**Table M1. TITLE 22 RECYCLED WATER MONITORING**

Constituent	Units	Type of Sample	Minimum Frequency of Analysis <sup>5</sup>
Total Recycled Water Flow	MGD	recorder	continuous <sup>6</sup>
Chlorine Residual <sup>7</sup>	mg/L	recorder	continuous <sup>6</sup>
Chlorine Contact Time (CT)	mg-min/L	recorder	continuous <sup>6</sup>
Turbidity <sup>8</sup>	NTU	recorder	continuous <sup>6</sup>
Total Coliform <sup>9</sup>	MPN/100 mL	grab <sup>10</sup>	daily <sup>11</sup>
pH	pH units	grab <sup>9</sup>	monthly
Total Suspended Solids	mg/L	24-hr comp.	monthly
Biochemical Oxygen Demand (BOD <sub>5</sub> 20°C)	mg/L	24-hr comp.	monthly
Oil & Grease	mg/L	grab <sup>9</sup>	quarterly
Total Dissolved Solids	mg/L	24-hr comp.	quarterly
Chloride	mg/L	24-hr comp.	quarterly
Boron	mg/L	24-hr comp.	quarterly
Sulfate	mg/L	24-hr comp.	quarterly
Nitrate-N	mg/L	24-hr comp.	quarterly
Nitrite-N	mg/L	24-hr comp.	quarterly
Ammonia Nitrogen	mg/L	24-hr comp.	quarterly

<sup>5</sup> The frequency of monitoring shall be performed as specified in Table M1.

<sup>6</sup> For those constituents that are continuously monitored, the Permittee shall report the monthly minimum, the monthly maximum, and the daily average values. A minimum of 24 points (one point for every hour) shall be used to calculate the daily average.

<sup>7</sup> Chlorine residual shall be continuously monitored and recorded at a point after the final chlorine contact basin. Both the minimum and maximum values shall be reported daily.

<sup>8</sup> Turbidity shall be continuously monitored and recorded at a point after final filtration. The average value recorded each day, the amount of time that 5 NTU is exceeded, and the incident of exceeding 10 NTU, if any, shall be reported. The levels of recorded turbidity shall be taken at intervals of no more than 1.2 hours over a 24 hour period. Should the continuous turbidimeter and recorder fail, grab sampling at a minimum frequency of 1.2 hours may be substituted for a period of up to 24 hours.

<sup>9</sup> Samples shall be obtained from the storage tank effluent and analyzed by an approved laboratory.

<sup>10</sup> A grab sample is an individual sample collected in a short period of time not exceeding 15 minutes. Grab samples shall be collected during normal peak loading conditions for the parameter of interest, which may or may not be during hydraulic peaks. When an automatic composite sampler is not used, composite sampling shall be done as follows: If the duration of the discharge is equal to or less than 24 hours but greater than eight (8) hours, at least eight (8) flow-weighted samples shall be obtained during the discharge period and composited. For discharge duration of less than eight (8) hours, individual 'grab' sample may be substituted.

<sup>11</sup> The daily total coliform bacteria samples shall be analyzed by a certified laboratory. The daily total coliform test is not required when the effluent is not used for recycled water that day.

Constituent	Units	Type of Sample	Minimum Frequency of Analysis <sup>5</sup>
Total Organic Carbon (TOC)	mg/L	24-hr comp.	annually
1,4-dioxane	µg/L	grab <sup>9</sup>	annually
1,2,3,-trichloropropane	µg/L	grab <sup>9</sup>	annually
Radioactivity	pCi/L	24-hr comp.	annually
Remaining Priority Pollutants (Attachment A)	µg/L	grab, 24-hr comp.	annually

### III. RECYCLED WATER USE MONITORING

The Permittee shall submit a quarterly report, in a tabular form, listing the users serviced during the quarter, the amount of recycled water delivered to each user (reported in both gallons and in acre-feet), and the use of the recycled water. A summary of these data shall also be included in the annual report.

### IV. GENERAL REPORTING REQUIREMENTS

The Permittee shall submit all reports to the Regional Water Board and DDW by the dates indicated below. Reference the reports to Compliance File No. CI-8734 to facilitate routing to the appropriate staff and file.

#### 1. Quarterly Monitoring Reports

A. These reports shall include, at a minimum, the following information:

- i. The quality and volume of the recycled water used. If no recycled water is used during the quarter, the report shall so state.
- ii. A table listing the users serviced during the quarter, the amount of recycled water delivered to each user (reported in both gallons and in acre-feet), and the use of the recycled water.
- iii. The date and time of sampling and analyses.
- iv. All analytical results of samples collected during the monitoring period of the recycled water.
- v. The monitoring report shall specify the USEPA analytical method used, the Method Detection Limit (MDL), and the RDL for each constituent analyzed.
- vi. Records of any operational problems, plant upset(s), equipment breakdowns or malfunctions, and any diversion(s) of off-specification recycled water and the location(s) of final disposal.
- vii. Discussion of compliance, noncompliance, or violation of requirements.
- viii. All corrective or preventive action(s) taken or planned with a schedule of implementation, if any.

B. For the purpose of reporting compliance with numeric limitations, analytical data shall be reported using the following reporting protocols:

- i. Sample results greater than or equal to the RDL must be reported as



- measured by the laboratory (i.e., the measured chemical concentration in the sample);
- ii. Sample results less than the RDL but greater than or equal to the laboratory's MDL must be reported as "Detected but Not Quantified", or DNQ. The laboratory must write the estimated chemical concentration of the sample next to DNQ as well as the words "Estimated Concentration" (may be shortened to "Est. Conc."); or
  - iii. Sample results less than the laboratory's MDL must be reported as "Not Detected", or ND.
- C. If the Permittee samples and performs analyses (other than for process/operational control, startup, research, or equipment testing) more frequently than required in this MRP using approved analytical methods, the results of those analyses shall be included in the report. These results shall be reflected in the calculation of the average used in demonstrating compliance with average effluent, receiving water, etc., limitations.
- D. The Regional Water Board may request supporting documentation, such as daily logs of operations.

## **2. Annual Reports**

- A. Tabular summaries of the monitoring data obtained during the previous calendar year.
- B. A table listing the users serviced during the year, the amount of recycled water delivered to each use site (reported in both gallons and in acre-feet), and the use of the recycled water.
- C. A discussion of the compliance record and corrective or preventive action(s) taken or planned to bring the recycled water into full compliance with the requirements in this Order.
- D. A description of any changes and anticipated changes, including any impacts in operation of any unit processes or facilities shall be provided.
- E. A list of the analytical methods employed for each test and associated laboratory quality assurance/quality control procedures shall be included. The report shall re-state, for the record, the laboratories used by the Permittee to monitor compliance with this Order, their status of certification, and a summary of performance.
- F. A list of current operating personnel, their responsibilities, and their corresponding grade and date of certification.
- G. The date of the facility's Operation and Maintenance (O&M) Management Plan, the date the plan was last reviewed, and whether or not the plan is complete and valid for the current facilities.

### 3. Report Submittal Dates

A. The Permittee shall submit the required reports to the Regional Water Board and to DDW. The reports shall be received on the dates indicated as follows:

- i. **Quarterly Monitoring Reports** shall be received by the 15<sup>th</sup> day of the second month following the end of each quarterly monitoring period. The first Quarterly Monitoring Report under this program shall be received at the Regional Water Board and DDW by November 15, 2015, covering the monitoring period from July 1 to September 30, 2015.

Table M1 Quarterly Report Periods and Due Dates	
Reporting Period	Report Due
January – March	May 15 <sup>th</sup>
April – June	August 15 <sup>th</sup>
July – September	November 15 <sup>th</sup>
October – December	February 15 <sup>th</sup>

- ii. The **Annual Summary Monitoring Report** shall be received by April 15<sup>th</sup> of each year. The first Annual Summary Report under this program shall be received at the Regional Water Board and DDW by April 15, 2016, covering the monitoring period of year 2015.

### 4. Electronic Monitoring

A. The Regional Water Board requires the Permittee to submit signed and certified self-monitoring reports (SMRs). Paper SMRs should be converted to a Portable Document Format (PDF). Documents that are less than 10 megabytes (MB) should be emailed to [losangeles@waterboards.ca.gov](mailto:losangeles@waterboards.ca.gov). Documents that are 10 MB or larger should be transferred to a disk and mailed to the address listed below:

California Regional Water Quality Control Board  
320 West 4th Street, Suite 200  
Los Angeles, CA90013  
Attention: Information Technology Unit

Permittees who have been certified to only submit electronic SMRs (eSMRs) to CIWQS should continue doing so, as previously required.

Reference the reports to Compliance File No. CI-8734 to facilitate routing to the appropriate staff and file.

B. Reports to DDW may be submitted:

- i. Via email to the following address if they are in PDF format and they are less than or equal to 10 MB: [Kurt.Souza@waterboards.ca.gov](mailto:Kurt.Souza@waterboards.ca.gov).
- ii. Via hard copies to the following address if they are greater 10 MB or less:

STANDARD MAIL	FEDEX/UPS/ OTHER PRIVATE CARRIERS
State Water Resources Control Board Division of Drinking Water c/o DMR Processing Center PO Box 100 Sacramento, CA 95812-1000	State Water Resources Control Board Division of Drinking Water c/o DMR Processing Center 1001 I Street, 15 <sup>th</sup> Floor Sacramento, CA 95814

**6. Summary of Non-compliance**

All monitoring reports shall contain a separate section titled "Summary of Non-Compliance" that discusses the compliance record and corrective actions taken or planned to bring the reuse into full compliance with this Order. This section shall clearly list all instances of non-compliance. For every item where the requirements are not met, the Permittee shall submit a statement of the actions undertaken or proposed that will bring the recycled water program into full compliance with requirements at the earliest possible time and a timetable for implementation of the corrective measures.

7. Monitoring reports shall be signed by either the principal Executive Officer or ranking elected official. A duly authorized representative of the aforementioned signatories may sign documents if all of the following are true:

- A. An authorization is made in writing by the signatory;
- B. The authorization specifies the representative as either an individual or position having responsibility for the overall operation of the regulated facility or activity; and,
- C. The written authorization is submitted to the Executive Officer of this Regional Water Board.

8. The monitoring report shall contain the following completed declaration:

"I certify under penalty of law that I have personally examined and am familiar with the information submitted in this document and all attachments thereto; and that, based on my inquiry of the individuals immediately responsible for obtaining the information, I believe that the information is true, accurate, and complete. I am aware that there are significant penalties for submitting false information, including the possibility of fine and imprisonment."

Executed on the day of \_\_\_\_\_ at \_\_\_\_\_

\_\_\_\_\_  
 Signature  
 \_\_\_\_\_  
 Title

9. The Permittee shall retain records of all monitoring information, including all calibration and maintenance, monitoring instrumentation, and copies of all reports required by this Order, for a period of at least three (3) years from the date of

sampling measurement or report. This period may be extended by request of the Regional Water Board or DDW at any time and shall be extended during the course of any unresolved litigation regarding the regulated activity.

10. Records of monitoring information shall include:
  - A. The date, exact place, and time of sampling or measurements;
  - B. The individual(s) who performed the sampling or measurements;
  - C. The date(s) analyses were performed;
  - D. The individual(s) who performed the analysis;
  - E. The analytical techniques or methods used; and
  - F. The results of such analyses.
11. The Permittee shall submit to the Regional Water Board, together with the first monitoring report required by this Order, a list of all chemicals and proprietary additives which could affect the quality of the recycled water, including quantities of each. Any subsequent changes in types and/or quantities shall be reported promptly. An annual summary of the quantities of all chemicals, listed by both trade and chemical names, which are used in the treatment process shall be included in the annual report.

Ordered by:

---

Samuel Unger, P.E.  
Executive Officer

Date: May 14, 2015

/SWebb

**ATTACHMENT A – PRIORITY POLLUTANTS**

<b>Metals</b>	<b>Base/Neutral Extractables</b>	<b>Acid Extractables</b>
Antimony	Acenaphthene	2,4,6-trichlorophenol
Arsenic	Benzidine	P-chloro-m-cresol
Beryllium	1,2,4-trichlorobenzene	2-chlorophenol
Cadmium	Hexachlorobenzene	2,4-dichlorophenol
Chromium	Hexachloroethane	2,4-dimethylphenol
Copper	Bis(2-chloroethyl) ether	2-nitrophenol
Lead	2-chloronaphthalene	4-nitrophenol
Mercury	1,2-dichlorobenzene	2,4-dinitrophenol
Nickel	1,3-dichlorobenzene	4,6-dinitro-o-cresol
Selenium	1,4-dichlorobenzene	Pentachlorophenol
Silver	3,3'-dichlorobenzidine	Phenol
Thallium	2,4-dinitrotoluene	<b>Volatile Organics</b>
Zinc	2,6-dinitrotoluene	Acrolein
<b>Miscellaneous</b>	1,2-diphenylhydrazine	Acrylonitrile
Cyanide	Fluoranthene	Benzene
Asbestos	4-chlorophenyl phenyl ether	Carbon tetrachloride
<b>Pesticides &amp; Polychlorinated Biphenyls (PCBs)</b>	4-bromophenyl phenyl ether	Chlorobenzene
	Bis(2-chloroisopropyl) ether	1,2-dichloroethane
	Bis(2-chlorethoxy) methane	1,1,1-trichloroethane
	Aldrin	Hexachlorobutadiene
Chlordane	Hexachlorocyclopentadiene	1,1,2-trichloroethane
Dieldrin	Isophorone	1,1,2,2-tetrachloroethane
4,4'-DDT	Naphthalene	Chloroethane
4,4'-DDE	Nitrobenzene	Chloroform
4,4'-DDD	N-nitrosodimethylamine	1,1-dichloroethylene
Alpha-endosulfan	N-nitrosodi-n-propylamine	1,2-trans-dichloroethylene
Beta-endosulfan	N-nitrosodiphenylamine	1,2-dichloropropane
Endosulfan sulfate	Bis(2-ethylhexyl) phthalate	1,3-dichloropropylene
Endrin	Butyl benzyl phthalate	Ethylbenzene
Endrin aldehyde	Di-n-butyl phthalate	Methylene chloride
Heptachlor	Di-n-octyl phthalate	Methyl chloride
Heptachlor epoxide	Diethyl phthalate	Methyl bromide
Alpha-BHC	Dimethyl phthalate	Bromoform
Beta-BHC	Benzo(a) anthracene	Dichlorobromomethane
Gamma-BHC	Benzo(a) pyrene	Chlorodibromomethane
Delta-BHC	Benzo(b) fluoranthene	Tetrachloroethylene
Toxaphene	Benzo(k) fluoranthene	Toluene
PCB 1016	Chrysene	Trichloroethylene
PCB 1221	Acenaphthylene	Vinyl chloride
PCB1232	Anthracene	2-chloroethyl vinyl ether
PCB 1242	Benzo(ghi) perylene	
PCB 1248	Fluorene	
PCB 1254	Phenanthrene	
PCB 1260	Dibenzo(a,h)anthracene	
	Indeno(1,2,3-c,d) pyrene	
	Pyrene	
	2,3,7,8-tetrachloro-dibenzo-p-dioxin (TCDD)	

## **ATTACHMENT B - STANDARD PROVISIONS**

### APPLICABLE TO WASTE DISCHARGE REQUIREMENTS

1. DUTY TO COMPLY

The Permittee must comply with all conditions of these waste discharge requirements. A responsible party has been designated in the Order for this project, and is legally bound to maintain the monitoring program and permit. Violations may result in enforcement actions, including Regional Water Board orders or court orders requiring corrective action or imposing civil monetary liability, or in modification or revocation of these waste discharge requirements by the Regional Water Board. [California Water Code (CWC) Sections 13261, 13263, 13265, 13268, 13300, 13301, 13304, 13340, 13350].

2. GENERAL PROHIBITION

Neither the treatment nor the discharge of waste shall create a pollution, contamination or nuisance, as defined by Section 13050 of the CWC. [Health and Safety Code (H&S) Section 5411, CWC Section 13263].

3. AVAILABILITY

A copy of these waste discharge requirements shall be maintained at the discharge facility and shall be available at all times to operating personnel. [CWC Section 13263].

4. CHANGE IN OWNERSHIP

The Permittee must notify the Executive Officer, in writing at least 30 days in advance of any proposed transfer of this Order's responsibility and coverage to a new permittee. The notice must include a written agreement between the existing and new permittee containing a specific date for the transfer of this Order's responsibility and coverage between the current permittee and the new permittee. This agreement shall include an acknowledgement that the existing permittee is liable for violation up to the transfer date and that the new permittee is liable from the transfer date on. [CWC Sections 13267 and 13263].

5. CHANGE IN DISCHARGE

In the event of a material change in the character, location, or volume of a discharge, the Permittee shall file with this Regional Water Board a new Report of Waste Discharge. [CWC Section 13260 (c)]. A material change includes, but is not limited to, the following:

- a. Addition of a major industrial waste discharge, a discharge of essentially domestic sewage, or the addition of a new process or product by an industrial facility resulting in a change in the character of the waste.
- b. Significant change in disposal method, e.g., change from a land disposal to a direct discharge to water, or change in the method of treatment which would significantly alter the characteristics of the waste.

- c. Significant change in the disposal area, e.g., moving the discharge to another drainage area, to a different water body, or to a disposal area significantly removed from the original area potentially causing different water quality or nuisance problems.
- d. Increase in flow beyond that specified in the waste discharge requirements.
- e. Increase in area or depth to be used for solid waste disposal beyond that specified in the waste discharge requirements. [CCR Title 23 Section 2210].

6. REVISION

These waste discharge requirements are subject to review and revision by the Regional Water Board. [CCR Section 13263].

7. TERMINATION

Where the Permittee becomes aware that it failed to submit any relevant facts in a Report of Waste Discharge or submitted incorrect information in a Report of Waste Discharge or in any report to the Regional Water Board, it shall promptly submit such facts or information. [CWC Sections 13260 and 13267].

8. VESTED RIGHTS

This Order does not convey any property rights of any sort or any exclusive privileges. The requirements prescribed herein do not authorize the commission of any act causing injury to persons or property, do not protect the Permittee from his liability under Federal, State or local laws, nor do they create a vested right for the Permittee to continue the waste discharge. [CWC Section 13263(g)].

9. SEVERABILITY

Provisions of these waste discharge requirements are severable. If any provision of these requirements is found invalid, the remainder of these requirements shall not be affected. [CWC Section 921].

10. OPERATION AND MAINTENANCE

The Permittee shall, at all times, properly operate and maintain all facilities and systems of treatment and control and related appurtenances) which are installed or used by the Permittee to achieve compliance with conditions of this Order. Proper operation and maintenance includes effective performance, adequate funding, adequate operator staffing and training, and adequate laboratory and process controls including appropriate quality assurance procedures. This provision requires the operation of backup or auxiliary facilities or similar systems only when necessary to achieve compliance with the conditions of this Order. [CWC Section 13263(f)].

11. HAZARDOUS RELEASES

Except for a discharge which is in compliance with these waste discharge requirements, any person who, without regard to intent or negligence, causes or permits any hazardous substance or sewage to be discharged in or on any waters of the State, or discharged or deposited where it is, or probably will be, discharged in or on any waters of the State, shall, as soon as (a) that person has knowledge of the discharge, (b) notification is possible, and (c) notification can be provided without substantially impeding cleanup or other emergency measures, immediately notify the Office of Emergency Services of the discharge in accordance with the spill reporting provision of the State toxic disaster contingency plan adopted pursuant to Article 3.7 (commencing with Section 8574.7) of Chapter 7 of Division 1 of Title 2 of the Government Code, and immediately notify the State Water Board or the appropriate Regional Water Board of the discharge. This provision does not require reporting of any discharge of less than a reportable quantity as provided for under subdivisions (f) and (g) of Section 13271 of the Water Code unless the discharge is in violation of a prohibition in the applicable Water Quality Control plan. [CWC Section 13271(a)].

12. PETROLEUM RELEASES

Except for a discharge which is in compliance with these waste discharge requirements, any person who without regard to intent or negligence, causes or permits any oil or petroleum product to be discharged in or on any waters of the State, or discharged or deposited where it is, or probably will be, discharged in or on any water of the State, shall, as soon as (a) such person has knowledge of the discharge, (b) notification is possible, and (c) notification can be provided without substantially impeding cleanup or other emergency measures, immediately notify the Office of Emergency Services of the discharge in accordance with the spill reporting provision of the State oil spill contingency plan adopted pursuant to Article 3.5 (commencing with Section 8574.1) of Chapter 7 of Division 1 of Title 2 of the Government Code. This provision does not require reporting of any discharge of less than 42 gallons unless the discharge is also required to be reported pursuant to Section 311 of the Clean Water Act or the discharge is in violation of a prohibition in the applicable Water Quality Control Plan. [CWC Section 13272].

13. ENTRY AND INSPECTION

The Permittee shall allow the Regional Water Board, or an authorized representative upon the presentation of credentials and other documents as may be required by law, to:

- a. Enter upon the Permittee's processes where a regulated facility or activity is located or conducted, or where records must be kept under the conditions of this Order;
- b. Have access to and copy at reasonable times, any records that must be kept under the conditions of this Order;
- c. Inspect at reasonable times any facilities, equipment (including monitoring and control equipment), practices, or operations regulated or required under this Order; and



- d. Sample or monitor at reasonable times, for the purposes of assuring compliance with this Order, or as otherwise authorized by the California Water Code, any substances or parameters at any location. [CWC Section 13267].

14. MONITORING PROGRAM AND DEVICES

The Permittee shall furnish, under penalty of perjury, technical monitoring program reports; such reports shall be submitted in accordance with specifications prepared by the Executive Officer, which specifications are subject to periodic revisions as may be warranted. [CWC Section 13267].

All monitoring instruments and devices used by the discharge to fulfill the prescribed monitoring program shall be properly maintained and calibrated as necessary to ensure their continued accuracy. All flow measurement devices shall be calibrated at least once per year, or more frequently, to ensure continued accuracy of the devices. Annually, the Permittee shall submit to the Executive Officer a written statement, signed by a registered professional engineer, certifying that all flow measurement devices have been calibrated and will reliably achieve the accuracy required.

Unless otherwise permitted by the Regional Water Board Executive Officer, all analyses shall be conducted at a laboratory certified for such analyses by the State Department of Health Services. The Regional Board Executive Officer may allow use of an uncertified laboratory under exceptional circumstances, such as when the closest laboratory to the monitoring location is outside the State boundaries and therefore not subject to certification. All analyses shall be required to be conducted in accordance with the latest edition of "Guidelines Establishing Test Procedures for Analysis of Pollutants" [40 CFR Part 136] promulgated by the U.S. Environmental Protection Agency. [CCR Title 23, Section 2230].

15. TREATMENT FAILURE

In an enforcement action, it shall not be a defense for the Permittee that it would have been necessary to halt or to reduce the permitted activity in order to maintain compliance with this Order. Upon reduction, loss, or failure of the treatment facility, the Permittee shall, to the extent necessary to maintain compliance with this Order, control production or all discharges, or both, until the facility is restored or an alternative method of treatment is provided. This provision applies, for example, when the primary source of power of the treatment facility fails, is reduced, or is lost. [CWC Section 13263(f)].

16. DISCHARGE TO NAVIGABLE WATERS

Any person discharging or proposing to discharge to navigable waters from a point source (except for discharge of dredged or fill material subject to section 404 of the Clean Water Act and discharge subject to general NPDES permit) must file an NPDES permit application with the Regional Water Board. [CCR Title 2 Section 22357].

17. ENDANGERMENT TO HEALTH AND ENVIRONMENT

The Permittee shall report any noncompliance which may endanger health or the environment. Any such information shall be provided verbally to the Executive Officer within 24 hours from the time the Permittee becomes aware of the circumstances. A written submission shall also be provided within five days of the time the Permittee becomes aware of the circumstances. The written submission shall contain a description and times, and if the noncompliance has not been corrected; the anticipated time it is expected to continue and steps taken or planned to reduce, eliminate, and prevent recurrence of the noncompliance. The Executive Officer, or an authorized representative, may waive the written report on a case-by-case basis if the oral report has been received within 24 hours. The following occurrence(s) must be reported to the Executive Officer within 24 hours:

- a. Any bypass from any portion of the treatment facility;
- b. Any discharge of treated or untreated wastewater resulting from sewer line breaks, obstruction, surcharge or any other circumstances; and,
- c. Any treatment plant upset which causes the effluent limitation of this order to be exceeded. [CWC Sections 13263 and 13267].

18. MAINTENANCE OF RECORDS

The Permittee shall retain records of all monitoring information including all calibration and maintenance records, all original strip chart recordings for continuous monitoring instrumentation, copies of all reports required by this Order, and records of all data used to complete the application for this Order. Records shall be maintained for a minimum of three years from the date of the sample, measurement, report, or application. This period may be extended during the course of any unresolved litigation regarding this discharge or when requested by the Regional Water Board Executive Officer.

Records of monitoring information shall include:

- a. The date, exact place, and time of sampling or measurements;
- b. The individual(s) who performed the sampling or measurements;
- c. The date(s) analyses were performed;
- d. The individual(s) who performed the analyses;
- e. The analytical techniques or method used; and
- f. The results of such analyses.

19. SIGNATORY REQUIREMENT

- a. All application reports or information to be submitted to the Executive Officer shall be signed and certified as follows:

- i. For a corporation – by a principle executive officer or at least the level of vice president;
  - ii. For a partnership or sole proprietorship – by a general partner or the proprietor, respectively; And,
  - iii. For a municipality, state, federal or other public agency – by either a principal executive officer or ranking elected official.
- b. A duly authorized representative of a person designated in paragraph (a) of this provision may sign documents if:
- i. The authorization is made in writing by a person described in paragraph (a) of this provision;
  - ii. The authorization specifies either an individual or position having responsibility for the overall operation of the regulated facility or activity; and,
  - iii. The written authorization is submitted to the Executive Officer.

Any person signing a document under this Section shall make the following certification:

“I certify under penalty of law that I have personally examined and am familiar with the information submitted in this document and all attachments and that, based on my inquiry of those individuals immediately responsible for obtaining the information, I believe that the information is true, accurate, and complete. I am aware that there are significant penalties for submitting false information, including the possibility of fine and imprisonment. [CWC Sections 13263, 13267, and 13268].”

20. OPERATOR CERTIFICATION

Supervisors and operators of municipal wastewater treatment plants and privately owned facilities regulated by the PUC, used in the treatment or reclamation of sewage and industrial waste shall possess a certificate of appropriate grade in accordance with Title 23, California Code of Regulation Section 3680. State Water Boards may accept experience in lieu of qualification training. In lieu of a properly certified wastewater treatment plant operator, the State Water Board may approve use of water treatment plant operator of appropriate grade certified by the State Department of Health Services where reclamation is involved.

Each plant shall be operated and maintained in accordance with the operation and maintenance manual prepared by the municipality through Clean Water Grant Program. [CWC Title 23, Section 2233(d)].

ADDITIONAL PROVISIONS APPLICABLE TO  
PUBLICLY OWNED TREATMENT WORKS' ADEQUATE CAPACITY

21. Whenever a publicly owned wastewater treatment plant will reach capacity within four years the Permittee shall notify the Regional Water Board. A copy of such notification shall be sent to appropriate local elected officials, local permitting agencies and the press. The Permittee must demonstrate that adequate steps are being taken to address the capacity problem. The Permittee shall submit a technical report to the Regional Water Board showing flow volumes will be prevented from exceeding capacity, or how capacity will be increased, within 120 days after providing notification to the Regional Water Board, or within 120 days after receipt of notification from the Regional Water Board, of a finding that the treatment plant will reach capacity within four years. The time for filing the required technical report may be extended by the Regional Water Board. An extension of 30 days may be granted by the Executive Officer, and longer extensions may be granted by the Regional Water Board itself. [CCR Title 23, Section 2232].

TENTATIVE