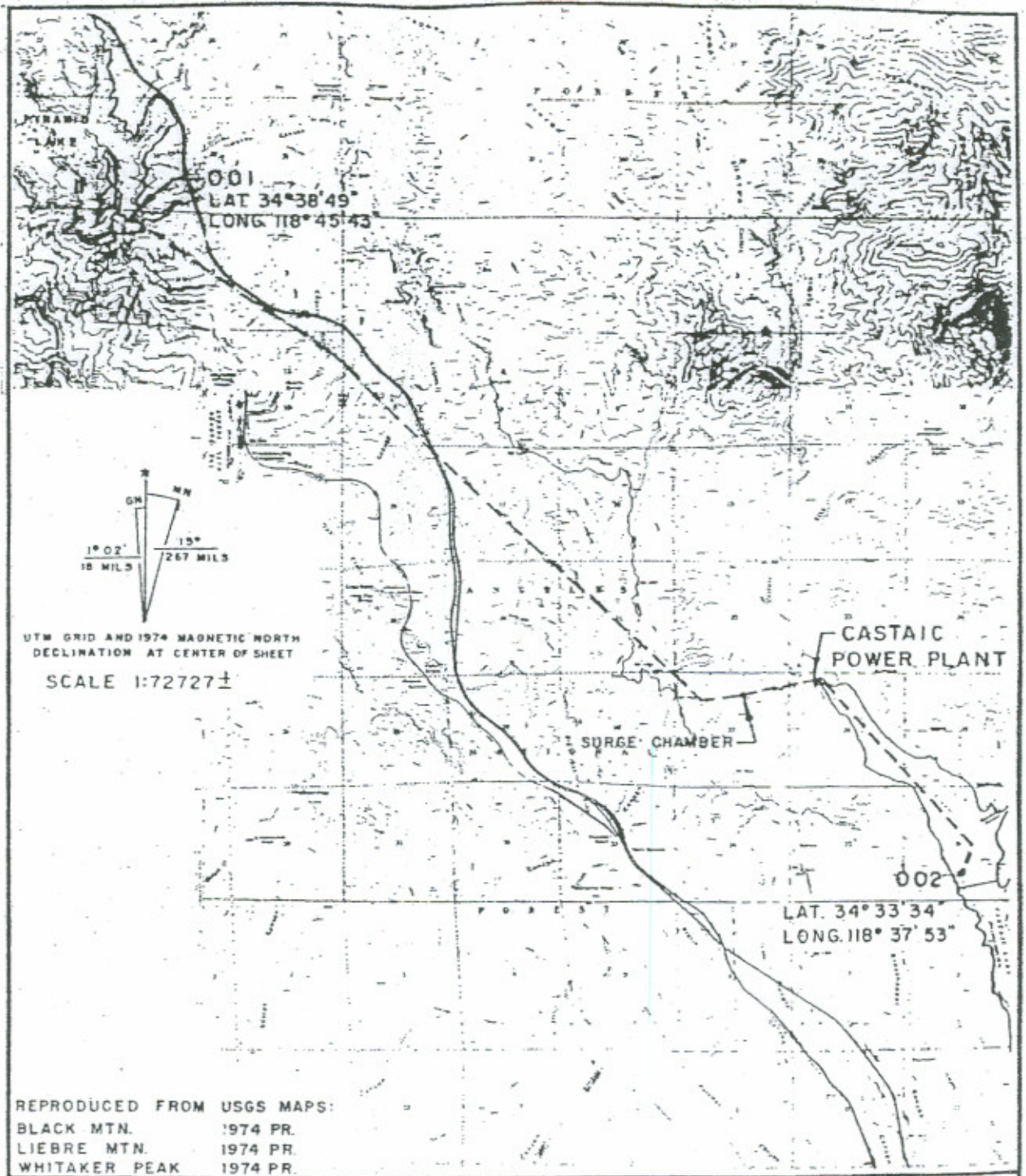


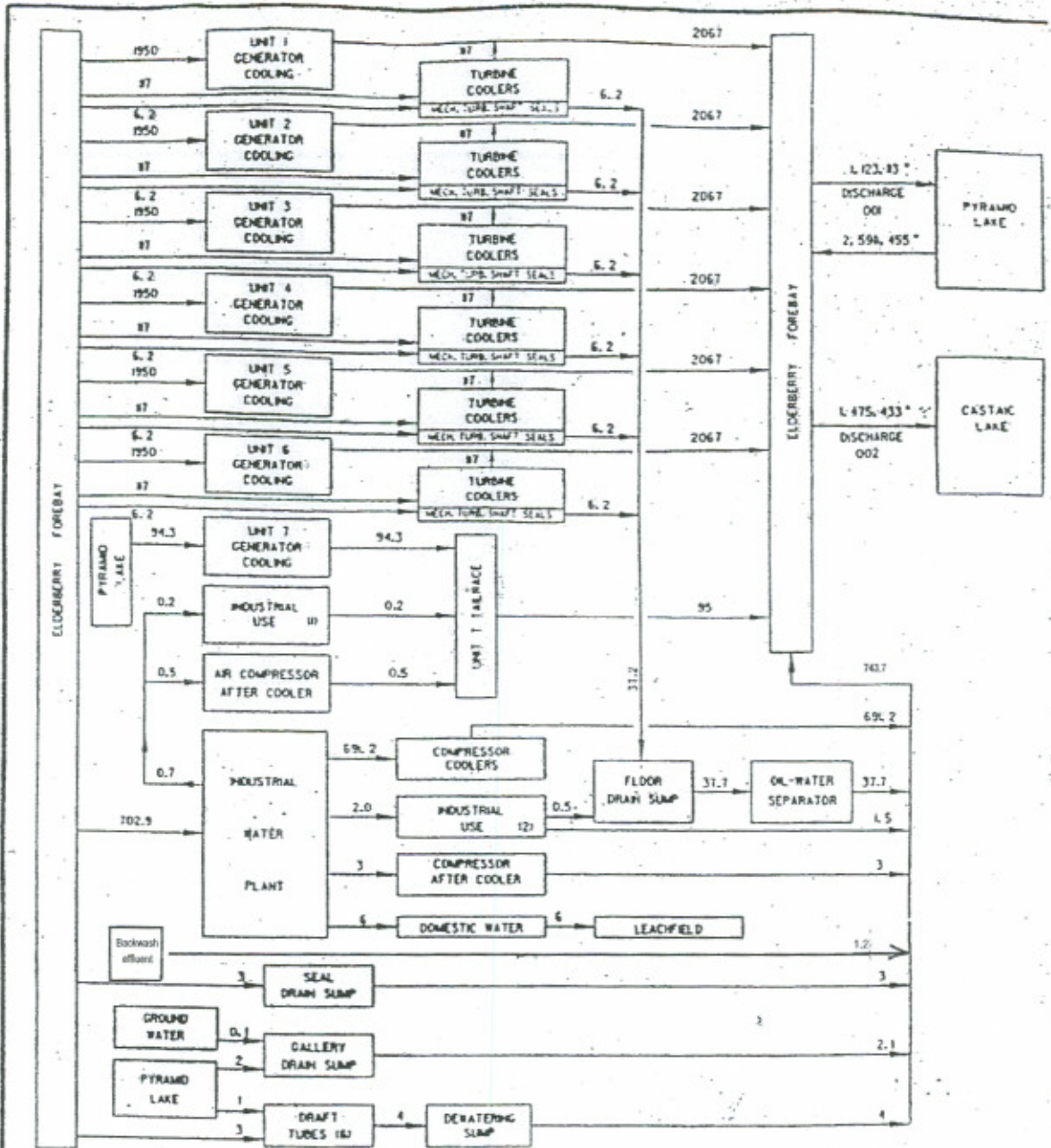
Figure 1. Castaic Power Plant (Pump Storage) facility Location



LOCATION MAP
CASTAIC POWER PLANT

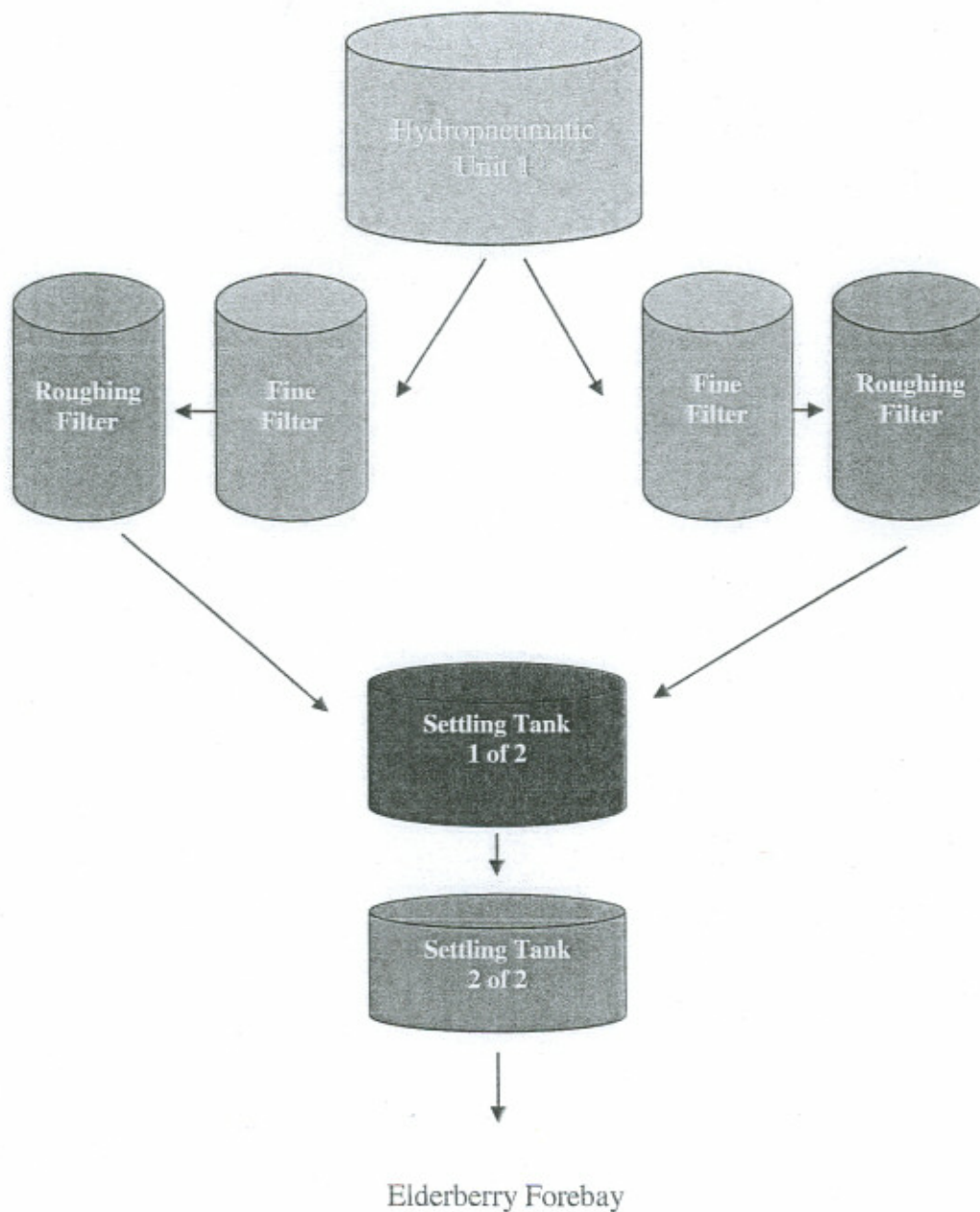
REV. NO.	DATE	CD	DATE	DES. ENGR.	APP'D.
				<i>Robert C. McFarland</i>	
DATE	D. A. B.	7-22-81		POWER SYSTEM DEPARTMENT OF WATER AND POWER	
					DRAWING NUMBER DA-0500

Figure 2. Castaic Power Plant (Pump Storage) Process Flow Diagram



Notes:
 All flows are in thousands of gallons per day.
 Includes design flows through the turbine/generators.

REVISION			SCHEMATIC OF WATER FLOW CASTAIC POWER PLANT		
NO 2	DRN KCC	CRD NS			
<i>Mark J. Dillensch</i> ENGINEERING APPROVAL			DRN	CRD	<i>Bruce J. McFarland</i>
FINAL APPROVAL RELEASE SIGNATURE			JCM	JOB	<i>J. H. Schumann</i> 8-10-82
DATE			ENGINEERING APPROVAL		
DESCRIPTION			POWER SYSTEM		
D07II;CHA24 MISC. REV.			DEPARTMENT OF WATER AND POWER		
			DRAWING NUMBER DA-00500		



Process Schematic
Castaic Power Plant Potable Drinking Water System
Backwash Cycle