



California Regional Water Quality Control Board

Los Angeles Region



Linda S. Adams
Acting Secretary for
Environmental Protection

320 West Fourth Street, Suite 200, Los Angeles, California 90013
(213) 576-6600 • Fax (213) 576-6640
<http://www.waterboards.ca.gov/losangeles>

Edmund G. Brown,
Governor

July 19, 2011

CERTIFIED MAIL No. 7001 2510 0002 2221 8959
RETURN RECEIPT REQUESTED

Mr. Ken H. Riesz, Sr.
El Segundo Energy Center, LLC
301 Vista Del Mar
El Segundo, CA 90245

Dear Mr. Riesz, Sr.:

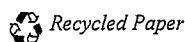
REVISED COVERAGE UNDER GENERAL NATIONAL POLLUTANT DISCHARGE ELIMINATION SYSTEM AND WASTE DISCHARGE REQUIREMENTS—EL SEGUNDO ENERGY CENTER, LLC, EL SEGUNDO GENERATING STATION REDEVELOPMENT PROJECT, 301 VISTA DEL MAR, EL SEGUNDO, CALIFORNIA (NPDES NO. CAG994004, CI-9628)

We have received an email from Mr. Piantka on behalf of El Segundo Energy Center, LLC on July 14, 2011, for the above referenced facility. El Segundo Energy Center, LLC is requesting a revision of your enrollment under the General NPDES permit to include PCBs in the regulated items since PCBs were recently detected in groundwater in the southwest portion of the El Segundo Generating Station Redevelopment Project.

We have completed our review of the characterization on the extent of PCBs in groundwater by your consultant and concur with your request. Enclosed are your Revised Waste Discharge Requirements, which also serve as your NPDES permit, consisting of Order No. R4-2008-0032 and Revised Monitoring and Reporting Program No. CI-9628. The discharge limitations in Part V.1. Tables 1, 2, and 10 of Order No. R4-2008-0032 for the specific constituents listed on the Table with the enclosed Fact Sheet are applicable to your discharge. The groundwater discharge flows into Santa Monica Bay Watershed Management Area. Therefore, the discharge limitations in Attachment B of Order No. R4-2008-0032 are not applicable to your discharge.

The Monitoring and Reporting Program requires you to implement the monitoring program on the effective date of coverage under this permit. All monitoring reports should be sent to the Regional Board, ATTN: Information Technology Unit. When submitting monitoring or technical reports to the Regional Board per these requirements, please include a reference to "Compliance File No. CI-9628 and NPDES No. CAG994004", which will assure that the reports are directed to the appropriate file and staff. Also, please do not combine other reports with your monitoring reports. Submit each type of report as a separate document.

California Environmental Protection Agency



Mr. Ken H. Riesz, Sr.
El Segundo Energy Center, LLC

- 2 -

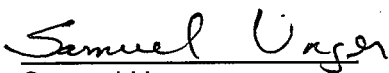
July 19, 2011

To avoid future annual fees, please submit written request for termination of your enrollment under the general permit in a separate letter, when the project has been completed and the permit is no longer needed.

We are sending a copy of Order No. R4-2008-0032 only to the applicant. For those on the mailing list, please refer to the Board Order previously sent to you. A copy of the Order will be furnished to anyone who requests it, or it can be obtained at our web site address: http://www.waterboards.ca.gov/losangeles/board_decisions/adopted_orders/.

If you have any questions, please contact Gensen Kai at (213) 576-6651.

Sincerely,



Samuel Unger
Executive Officer

Enclosures:

Order No. R4-2008-0032, General NPDES Permit No. CAG994004
Revised Fact Sheet
Revised Monitoring and Reporting Program for No. CI-9628

cc: Environmental Protection Agency, Region 9, Permit Section (WTR-5)
U.S. Army Corps of Engineers
U.S. Fish and Wildlife Services, Division of Ecological Services
NOAA, National Marine Fisheries Service
California Department of Fish and Game, Marine Resources, Region 5
Los Angeles County, Department of Public Works, Environmental Programs Division
Los Angeles County, Department of Health Services
City Manager, City of El Segundo
Jae Kim, Tetra Tech

STATE OF CALIFORNIA
CALIFORNIA REGIONAL WATER QUALITY CONTROL BOARD
LOS ANGELES REGION
320 West 4th Street, Suite 200, Los Angeles, California 90013

**REVISED FACT SHEET
WASTE DISCHARGE REQUIREMENTS
FOR
EL SEGUNDO ENERGY CENTER, LLC
(EL SEGUNDO GENERATING STATION REDEVELOPMENT PROJECT)**

**NPDES NO. CAG994004
CI-9628.**

FACILITY ADDRESS

301 Vista Del Mar
El Segundo, California

FACILITY MAILING ADDRESS

301 Vista Del Mar
El Segundo, CA 90245

PROJECT DESCRIPTION:

El Segundo Energy Center, LLC (Discharger) is conducting construction project at the El Segundo Generating Station Redevelopment Project (Project) located at 301 Vista Del Mar, El Segundo (See Figure 1 for site location). The Project consists of demolition of equipment associated with the former power block units 1 and 2 and construction of four new power generating units at the project site. It will be necessary to discharge the wastewater contained in the formerly used cooling system and the groundwater generated from construction dewatering activities. The wastewater and groundwater from the site will be passed through activated carbon vessels to remove organic contaminants and ion exchange resin vessels to remove heavy metals prior to discharge. Figure 2 shows the schematic of the treatment process.

We have received an email from Mr. Piantka on behalf of El Segundo Energy Center, LLC on July 14, 2011, for the above referenced facility. El Segundo Energy Center, LLC is requesting a revision of your enrollment under the General NPDES permit to include PCBs in the regulated items since PCBs were recently detected in groundwater in the southwest portion of the El Segundo Generating Station Redevelopment Project. We have completed our review of the characterization on the extent of PCBs in groundwater by your consultant and concur with your request.

VOLUME AND DESCRIPTION OF DISCHARGE:

The Discharger proposes to discharge up to 2.5 million gallons per day (MGD) of the treated wastewater to Discharge Point 001 (Latitude: 33° 54' 27", Longitude: 118° 25' 50"). The high rate of discharge is necessary since the groundwater underneath the Project site and sea water in the Pacific Ocean is hydrologically connected and enormous amount of sea water will be generated from the dewatering activities. The Discharger proposes to complete the demolition phase of the Project within six months from the commencement of the construction. Should the dewatering activity extend beyond six months, the maximum rate of discharge from the project becomes under 1 MGD. The discharge flows into Santa Monica Bay Watershed Management Area, a water of the United States.

APPLICABLE EFFLUENT LIMITATIONS

Based on the information provided in the NPDES Application Supplemental Requirements, the following constituents listed in the Table below have been determined to show reasonable potential to exist in the discharge. The groundwater discharge flows into Santa Monica Bay Watershed Management Area. Therefore, the discharge limitations in Attachment B of Order No. R4-2008-0032 are not applicable to your discharge.

This Table lists the specific constituents and effluent limitations applicable to the discharge.

Constituents	Units	Discharge Limitations	
		Daily Maximum	Monthly Average
Total Suspended Solids	mg/L	150	50
Turbidity	NTU	150	50
BOD ₅ 20°C	mg/L	30	20
Oil and Grease	mg/L	15	10
Settleable Solids	ml/L	0.3	0.1
Sulfides	mg/L	1.0	N/A
Phenols	mg/L	1.0	N/A
Residual Chlorine	mg/L	0.1	N/A
Methylene Blue Active Substances (MBAS)	mg/L	0.5	N/A
Nickel	µg/L	14	6.7
Methyl Tertiary Butyl Ether (MTBE)	µg/L	5	
Tertiary Butyl Alcohol (TBA)	µg/L	12	
Total Petroleum Hydrocarbons	µg/L	100	
Benzene	µg/L	1.0	
Ethylbenzene	µg/L	700	
Toluene	µg/L	150	
Xylenes	µg/L	1750	
PCBs*	µg/L	0.00034	0.00017

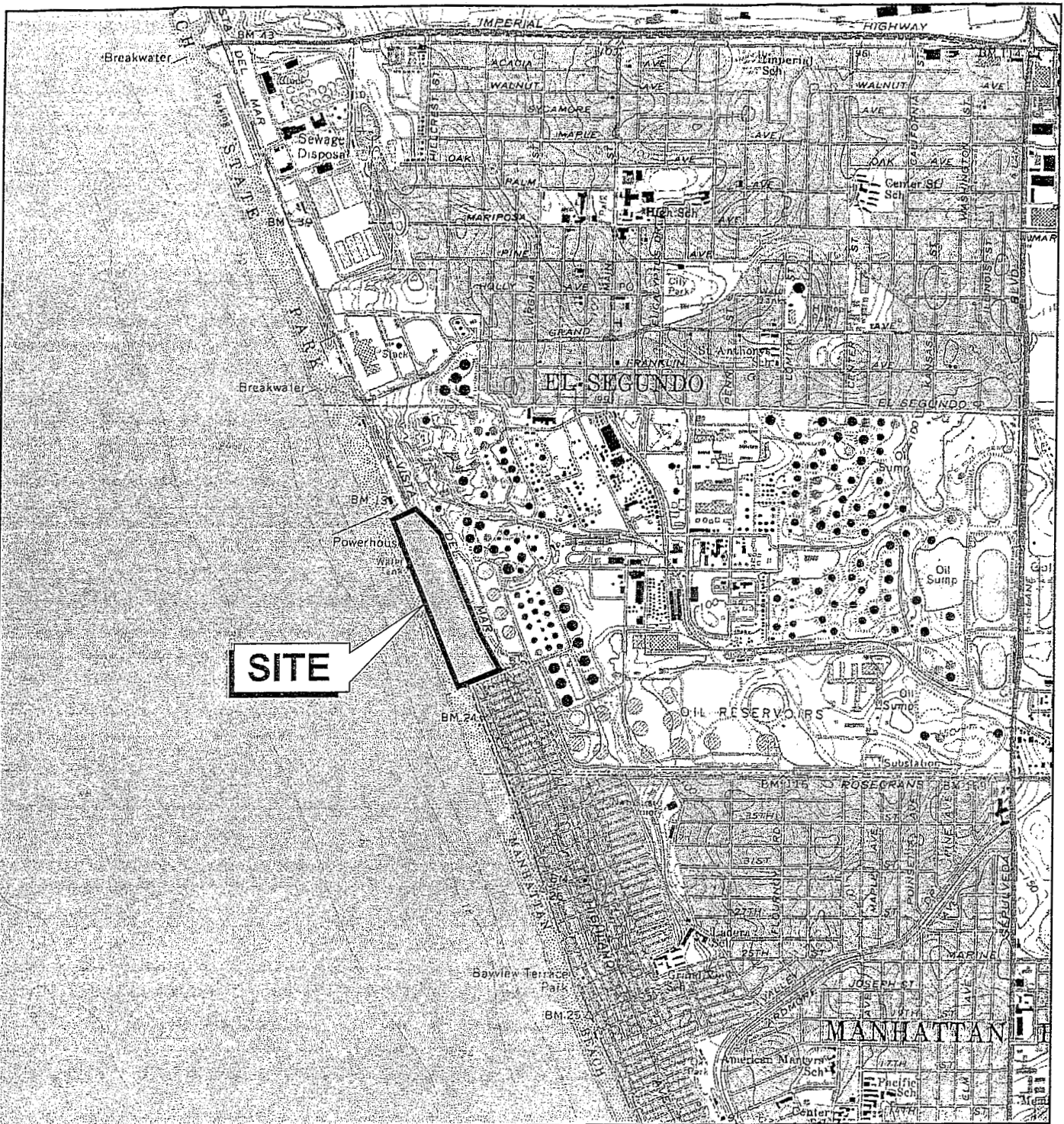
* If the reported detection level is greater than the effluent limit for this constituent, then a non detect using ML detection is deemed to be in compliance.

FREQUENCY OF DISCHARGE:

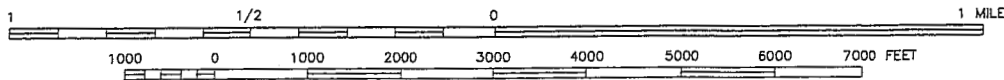
The groundwater discharge will be intermittent.

REUSE OF WATER:

Offsite disposal of the groundwater discharge is not feasible due to high cost of disposal. The property and the immediate vicinity have no landscaped areas that require irrigation using the groundwater discharge. Since there are no feasible reuse options, the groundwater will be discharged to the storm drain in accordance with the attached Order.



SCALE 1:24000



THE SOURCE GROUP, INC.

FILE NAME: NRC-ELS-SL
 DATE: 08/09
 SOURCE: U.S.G.S. 7.5 MINUTE TOPOGRAPHIC QUADRANGLE MAP VENICE, CA

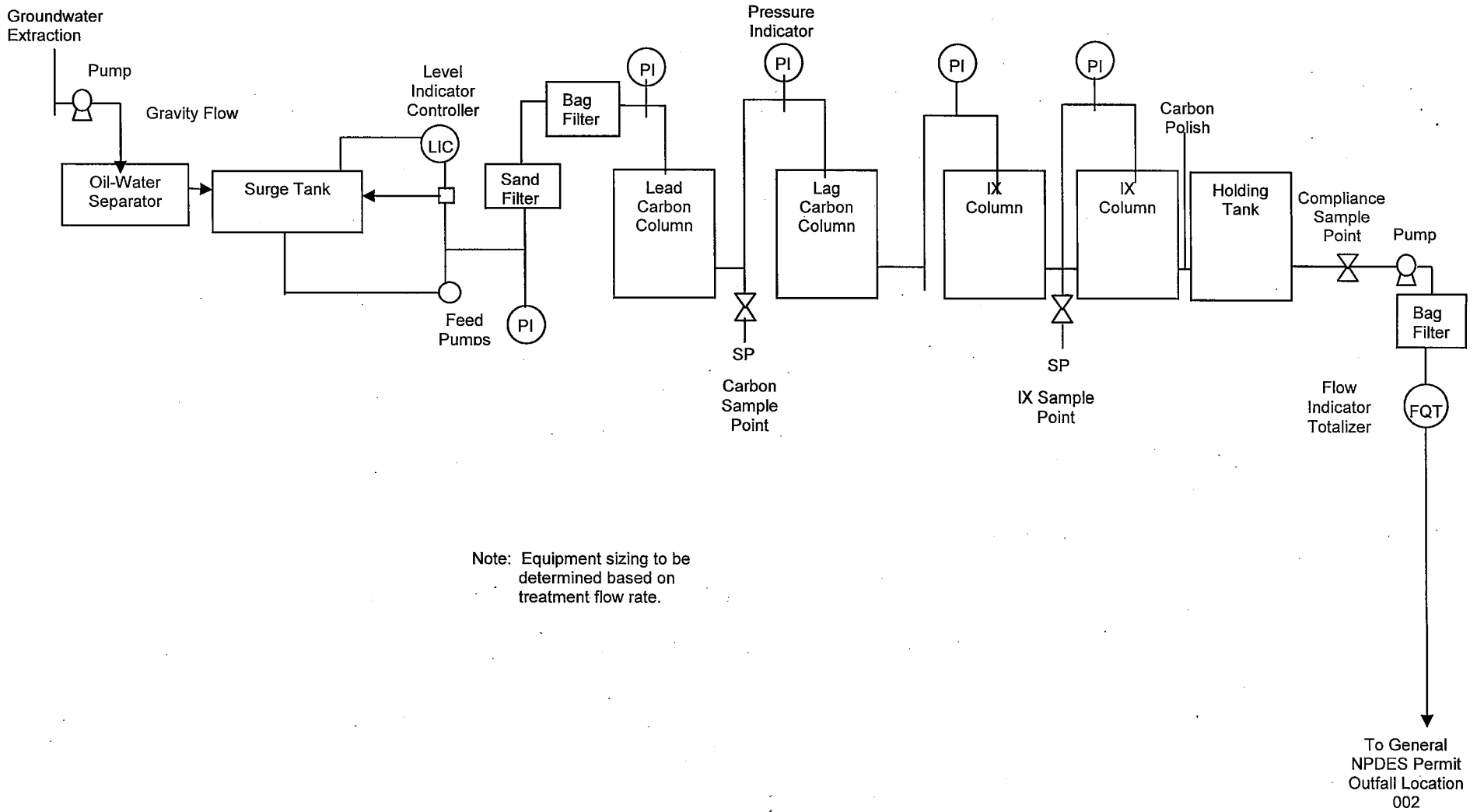
SITE LOCATION MAP

301 VISTA DEL MAR BOULEVARD
 EL SEGUNDO, CALIFORNIA

FIGURE

1

El Segundo EC Prelim Plot Plan



Note: Equipment sizing to be determined based on treatment flow rate.

Figure 2. Treatment Process

STATE OF CALIFORNIA
CALIFORNIA REGIONAL WATER QUALITY CONTROL BOARD
LOS ANGELES REGION

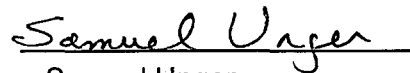
REVISED MONITORING AND REPORTING PROGRAM NO. CI-9628
FOR
DISCHARGES OF GROUNDWATER FROM CONSTRUCTION AND PROJECT
DEWATERING
TO SURFACE WATERS
IN
COASTAL WATERSHEDS OF LOS ANGELES AND VENTURA COUNTIES

FOR
EL SEGUNDO ENERGY CENTER, LLC

(GENERAL NPDES PERMIT NO. CAG994004, SERIES NO.: 064)

This Order was adopted by the Regional Water Board on:	June 5, 2008
This Order shall become effective on:	July 19, 2011
This Order shall expire on:	June 5, 2013
The U.S. Environmental Protection Agency (USEPA) and the Regional Water Board have classified this discharge as a minor discharge.	

Ordered By:



Samuel Unger
Executive Officer

Date:

July 19, 2011

TABLE OF CONTENTS

ATTACHMENT E - Monitoring and Reporting Program (MRP)

I. GENERAL MONITORING PROVISIONS.....	3
II. MONITORING LOCATIONS.....	7
III. EFFLUENT MONITORING REQUIREMENTS.....	7
IV. WHOLE EFFLUENT TOXICITY TESTING REQUIREMENTS.....	8
A. DEFINITION OF TOXICITY.....	8
B. ACUTE TOXICITY EFFLUENT MONITORING PROGRAM.....	8
C. REPORTING.....	9
V. LAND DISCHARGE MONITORING REQUIREMENTS.....	10
VI. RECLAMATION MONITORING REQUIREMENTS.....	10
VII. RECEIVING WATER MONITORING REQUIREMENTS – SURFACE WATER AND GROUNDWATER.....	10
VIII. OTHER MONITORING REQUIREMENTS.....	10
IX. REPORTING REQUIREMENTS.....	10
A. GENERAL MONITORING AND REPORTING REQUIREMENTS.....	10
B. SELF MONITORING REPORTS (SMRS).....	10
C. NOTIFICATION.....	13
D. MONITORING FREQUENCIES ADJUSTMENT.....	13
E. SELF MONITORING REPORTS (SMRS).....	13

LIST OF TABLES

TABLE 1. MONITORING LOCATION.....	6
TABLE 2. MONITORING PERIODS AND REPORTING SCHEDULE.....	11

Attachment E – Monitoring and Reporting Program (MRP)

The Code of Federal Regulations section 122.48 requires that all NPDES permits specify monitoring and reporting requirements. Water Code Sections 13267 and 13383 also authorize the Regional Water Quality Control Board (Regional Water Board) to require technical and monitoring reports. This MRP establishes monitoring and reporting requirements, which implement the federal and California regulations.

I. GENERAL MONITORING PROVISIONS

- A. An effluent sampling station shall be established for Discharge Point M-001 and shall be located where representative samples of that effluent can be obtained. Provisions shall be made to enable visual inspections before discharge. In the event of presence of oil sheen, debris, and/or other objectionable materials or odors, discharge shall not commence until compliance with the requirements is demonstrated. All visual observations shall be included in the monitoring report.
- B. This Regional Board shall be notified in writing of any change in the sampling stations once established or in the methods for determining the quantities of pollutants in the individual waste streams.
- C. Effluent samples shall be taken downstream of any addition to treatment works and prior to mixing with the receiving waters.
- D. This Regional Water Board shall be notified in writing of any change in the sampling stations once established or in the methods for determining the quantities of pollutants in the individual waste streams.
- E. Pollutants shall be analyzed using the analytical methods described in 40 CFR §§136.3, 136.4, and 136.5 (revised May 14, 1999); or, where no methods are specified for a given pollutant, by methods approved by this Regional Water Board or the State Water Board.
- F. Laboratories analyzing effluent samples and receiving water samples shall be certified by the California Department of Public Health (DPH) Environmental Laboratory Accreditation Program (ELAP) or approved by the Executive Officer and must include QA/QC data in their reports. A copy of the laboratory certification shall be provided each time a new certification and/or renewal of the certification is obtained from ELAP.
- G. For any analyses performed for which no procedure is specified in the USEPA guidelines or in the MRP, the constituent or parameter analyzed and the method or procedure used must be specified in the monitoring report.
- H. Each monitoring report must affirm in writing that "all analyses were conducted at a laboratory certified for such analyses by DPH or approved by the Executive Officer and in accordance with current USEPA guideline procedures or as specified in this Monitoring and Reporting Program".

- I. The monitoring reports shall specify the analytical method used, the MDL, and the ML for each pollutant. For the purpose of reporting compliance with numerical limitations, performance goals, and receiving water limitations, analytical data shall be reported by one of the following methods, as appropriate:
1. An actual numerical value for sample results greater than or equal to the ML; or
 2. "DNQ" if results are greater than or equal to the laboratory's MDL but less than the ML; or,
 3. "ND" for sample results less than the laboratory's MDL with the MDL indicated for the analytical method used.

Analytical data reported as "less than" for the purpose of reporting compliance with permit limitations shall be the same or lower than the permit limit(s) established for the given parameter.

Current MLs (Attachment G) are those published by the State Water Resources Control Board in the *Policy for the Implementation of Toxics Standards for Inland Surface Waters, Enclosed Bays, and Estuaries of California*, March 2, 2000.

- J. Where possible, the MLs employed for effluent analyses shall be lower than the permit limitations established for a given parameter. If the ML value is not below the effluent limitation, then the lowest ML value and its associated analytical method shall be selected for compliance purposes. At least once a year, the Discharger shall submit a list of the analytical methods employed for each test and associated laboratory QA/QC procedures.

The Regional Water Board, in consultation with the State Water Board Quality Assurance Program, shall establish a ML that is not contained in Attachment G to be included in the Discharger's permit in any of the following situations:

1. When the pollutant under consideration is not included in Attachment G;
2. When the Discharger and Regional Water Board agree to include in the permit a test method that is more sensitive than that specified in 40 CFR Part 136 (revised May 14, 1999);
3. When the Discharger agrees to use an ML that is lower than that listed in Attachment G;
4. When the Discharger demonstrates that the calibration standard matrix is sufficiently different from that used to establish the ML in Attachment G, and proposes an appropriate ML for their matrix; or,

5. When the Discharger uses a method whose quantification practices are not consistent with the definition of an ML. Examples of such methods are the USEPA-approved method 1613 for dioxins and furans, method 1624 for volatile organic substances, and method 1625 for semi-volatile organic substances. In such cases, the Discharger, the Regional Water Board, and the State Water Board shall agree on a lowest quantifiable limit and that limit will substitute for the ML for reporting and compliance determination purposes.
- K. Water/wastewater samples must be analyzed within allowable holding time limits as specified in 40 CFR §136.3. All QA/QC items must be run on the same dates the samples were actually analyzed, and the results shall be reported in the Regional Water Board format, when it becomes available, and submitted with the laboratory reports. Proper chain of custody procedures must be followed, and a copy of the chain of custody shall be submitted with the report.
- L. All analyses shall be accompanied by the chain of custody, including but not limited to data and time of sampling, sample identification, and name of person who performed sampling, date of analysis, name of person who performed analysis, QA/QC data, method detection limits, analytical methods, copy of laboratory certification, and a perjury statement executed by the person responsible for the laboratory.
- M. The Discharger shall calibrate and perform maintenance procedures on all monitoring instruments and to insure accuracy of measurements, or shall insure that both equipment activities will be conducted.
- N. The analytical laboratory shall have an acceptable written quality assurance (QA) plan for laboratory analyses. The annual monitoring report shall also summarize the QA activities for the previous year. Duplicate chemical analyses must be conducted on a minimum of ten percent (10%) of the samples, or at least one sample per sampling period, whichever is greater. A similar frequency shall be maintained for analyzing spiked samples.
- O. When requested by the Regional Water Board or USEPA, the Discharger will participate in the NPDES discharge monitoring report QA performance study. The Discharger must have a success rate equal to or greater than 80%.
- P. For parameters that both monthly average and daily maximum limitations are specified and the monitoring frequency is less than four times a month, the following shall apply. If an analytical result is greater than the monthly average limitation, the Discharger shall collect four additional samples at approximately equal intervals during the month, until compliance with the monthly average limitation has been demonstrated. All five analytical results shall be reported in the monitoring report for that month, or 45 days after results for the additional samples were received,

whichever is later. In the event of noncompliance with a monthly average effluent limitation, the sampling frequency for that constituent shall be increased to weekly and shall continue at this level until compliance with the monthly average effluent limitation has been demonstrated. The Discharger shall provide for the approval of the Executive Officer a program to ensure future compliance with the monthly average limitation.

Q. In the event wastes are transported to a different disposal site during the report period, the following shall be reported in the monitoring report:

1. Types of wastes and quantity of each type;
2. Name and address for each hauler of wastes (or method of transport if other than by hauling); and
3. Location of the final point(s) of disposal for each type of waste.

If no wastes are transported off-site during the reporting period, a statement to that effect shall be submitted.

R. Each monitoring report shall state whether or not there was any change in the discharge as described in the Order during the reporting period.

S. All monitoring reports shall include the discharge limitations in the Order, tabulated analytical data, the chain of custody form, and the laboratory report (including but not limited to date and time of sampling, date of analyses, method of analysis and detection limits).

T. Sample collection requirements (as appropriate)

1. Daily samples shall be collected each day.
2. Weekly samples shall be collected on a representative day of each week.
3. Monthly samples shall be collected on a representative day of each month
4. Quarterly samples shall be collected in February, May, August, and November.
5. Semi-annual samples shall be collected in May and November.
6. Annual samples shall be collected in November.

U. Before commencing a new discharge, a representative sample of the effluent shall be collected and analyzed for all the constituents listed in Fact Sheet, and the test results must meet all applicable limitations of Order No. R4-2008-0032. This is not applicable for existing discharge.

II. MONITORING LOCATIONS

The Discharger shall establish the following monitoring locations to demonstrate compliance with the effluent limitations, discharge specifications, and other requirements in this Order:

Table 1. Monitoring Location

Discharge Point Name	Monitoring Location Name	Monitoring Location Description
Discharge Point 1	M-001	Treated effluent, after treatment and before contact with the receiving water and/or dilution by any other water or waste.
Discharge Point 2	M-002	If more than one discharge point is authorized under the General Permit, compliance monitoring locations shall be named M-002, M-003, etc. and shall be located so as to allow collection of treated effluent after treatment and before contact with receiving water and/or dilution by any other water or waste.

III. EFFLUENT MONITORING REQUIREMENTS

A. The Discharger shall monitor the effluent at Discharge Point M-001 as follows:

Constituent	Unit	Type of Sample	Minimum Frequency of Analysis
Total Waste Flow	gal/day	totalizer	continuously
pH	pH unit	grab	monthly
Temperature	°F	grab	monthly
Total Suspended Solids	mg/L	grab	monthly
Turbidity	NTU	grab	monthly
BOD ₅ 20°C	mg/L	grab	monthly
Oil and Grease	mg/L	grab	monthly
Settleable Solids	ml/L	grab	monthly
Sulfides	mg/L	grab	monthly
Phenols	mg/L	grab	monthly
Residual Chlorine	mg/L	grab	monthly
Methylene Blue Active Substances (MBAS)	mg/L	grab	monthly
Nickel	µg/L	grab	monthly*
Methyl Tertiary Butyl Ether (MTBE)	µg/L	grab	monthly*
Tertiary Butyl Alcohol (TBA)	µg/L	grab	monthly*
Total Petroleum Hydrocarbons	µg/L	grab	monthly*
Benzene	µg/L	grab	monthly
Ethylbenzene	µg/L	grab	monthly
Toluene	µg/L	grab	monthly

Constituent	Unit	Type of Sample	Minimum Frequency of Analysis
Xylenes	µg/L	grab	monthly
PCBs*	µg/L	grab	monthly*
Acute Toxicity	% survival	grab	annually

*: Weekly for the first month and monthly thereafter if no exceedance is observed.

IV. WHOLE EFFLUENT TOXICITY TESTING REQUIREMENTS

A. Definition of Toxicity

Acute Toxicity

The MRP requires an annual test for acute toxicity which measures primarily lethal effects that occur over a 96-hour period. Acute toxicity shall be measured in percent survival measured in undiluted (100%) effluent.

B. Acute Toxicity Effluent Monitoring Program

1. The Discharger shall conduct acute toxicity tests on effluent grab samples by methods specified in 40 CFR Part 136 which cites USEPA's *Methods for Measuring the Acute Toxicity of Effluents and Receiving Waters to Freshwater and Marine Organisms*, Fifth Edition, October 2002, USEPA, Office of Water, Washington D.C. (EPA/821-R-02-012) or a more recent edition to ensure compliance in 100 % effluent.
2. The fathead minnow, *Pimephales promelas*, shall be used as the test species for fresh water discharges and the topsmelt, *Atherinops affinis*, shall be used as the test species for brackish effluent. The method for topsmelt is found in USEPA's *Short-term Method for Estimating the Chronic Toxicity of Effluents and Receiving Waters to West Coast Marine and Estuarine Organisms*, First Edition, August 1995 (EPA/600/R-95/136), or a more recent edition.
3. In lieu of conducting the standard acute toxicity testing with the fathead minnow, the Discharger may elect to report the results or endpoint from the first 48 hours of the chronic toxicity test as the results of the acute toxicity test.
4. Accelerated Toxicity Monitoring: If the results of the toxicity test yields a survival of less than 90%, then the frequency of analyses shall increase to monthly until at least three test results have been obtained and full compliance with effluent limitations has been demonstrated, after which the frequency of analyses shall revert

to annually. Results of toxicity tests shall be included in the first monitoring report following sampling.

5. Effluent samples shall be collected after all treatment processes and before discharge to the receiving water.

C. Reporting

1. The Discharger shall submit a full report of the toxicity test results, including any accelerated testing conducted during the month as required by this permit. Test results shall be reported as % survival for acute toxicity test results with the self monitoring reports (SMR) for the month in which the test is conducted.
2. If an initial investigation indicates the source of toxicity and accelerated testing is unnecessary, then those results also shall be submitted with the SMR for the period in which the investigation occurred.
 - a. The full report shall be submitted on or before the end of the month in which the SMR is submitted.
 - b. The full report shall consist of (1) the results; (2) the dates of sample collection and initiation of each toxicity test; (3) the acute toxicity average limit.
3. Test results for toxicity tests also shall be reported according to the appropriate manual chapter on Report Preparation and shall be attached to the SMR. Routine reporting shall include, at a minimum, as applicable, for each test:
 - a. Sample date(s);
 - b. Test initiation date;
 - c. Test species;
 - d. End point values for each dilution (e.g., number of young, growth rate, percent survival);
 - e. Any applicable charts; and
 - f. Available water quality measurements for each test (e.g., pH, D.O., temperature, conductivity, hardness, salinity, ammonia).
4. The Discharger shall provide a compliance summary, which includes a summary table of toxicity data from all samples collected during that year.

The Discharger shall notify by telephone or electronically, this Regional Water Board of any toxicity exceedance of the limit or trigger within 24 hours of receipt of the results followed by a written report within 14 calendar days of receipt of the results. The verbal or electronic notification shall include the exceedance and the plan the Discharger has taken or will take to investigate and correct the cause(s) of toxicity. It may also include a status

report on any actions required by the permit, with a schedule for actions not yet completed. If no actions have been taken, the reasons shall be given.

V. LAND DISCHARGE MONITORING REQUIREMENTS

Not Applicable.

VI. RECLAMATION MONITORING REQUIREMENTS

Not Applicable.

VII. RECEIVING WATER MONITORING REQUIREMENTS – SURFACE WATER AND GROUNDWATER

Not Applicable.

VIII. OTHER MONITORING REQUIREMENTS

Not Applicable.

IX. REPORTING REQUIREMENTS

A. General Monitoring and Reporting Requirements

1. The Discharger shall comply with all Standard Provisions (Attachment D) related to monitoring, reporting, and recordkeeping.
2. If there is no discharge during any reporting period, the report shall so state.
3. Each monitoring report shall contain a separate section titled "Summary of Non-Compliance" which discusses the compliance record and corrective actions taken or planned that may be needed to bring the discharge into full compliance with waste discharge requirements. This section shall clearly list all non-compliance with waste discharge requirements, as well as all excursions of effluent limitations.
4. The Discharger shall inform the Regional Water Board well in advance of any proposed construction activity that could potentially affect compliance with applicable requirements.

B. Self Monitoring Reports (SMRs)

1. At any time during the term of this permit, the State or Regional Water Board may notify the Discharger to electronically submit Self-Monitoring Reports (SMRs) using the State Water Board's California Integrated Water Quality System (CIWQS) Program Web site (<http://www.waterboards.ca.gov/ciwqs/index.html>). Until

such notification is given, the Discharger shall submit hard copy SMRs. The CIWQS Web site will provide additional directions for SMR submittal in the event there will be service interruption for electronic submittal.

2. The Discharger shall report in the SMR the results for all monitoring specified in this MRP. The Discharger shall submit SMRs including the results of all required monitoring using USEPA-approved test methods or other test methods specified in this Order. If the Discharger monitors any pollutant more frequently than required by this Order, the results of this monitoring shall be included in the calculations and reporting of the data submitted in the SMR.
3. Monitoring periods and reporting for all required monitoring shall be completed according to the following schedule:

Table 2. Monitoring Periods and Reporting Schedule

Sampling Frequency	Monitoring Period Begins On	Monitoring Period	SMR Due Date
Continuous	July 19, 2011	All	Submit with quarterly SMR
Weekly	Sunday following permit effective date or on permit effective date if on a Sunday	Sunday through Saturday	Submit with quarterly SMR
Monthly	First day of calendar month following permit effective date or on permit effective date if that date is first day of the month	1 st day of calendar month through last day of calendar month	Submit with quarterly SMR
Quarterly	Closest of January 1, April 1, July 1, or October 1	January 1 through March 31. April 1 through June 30. July 1 through September 30. October 1 through December 31	45 days from the end of the monitoring period
Annually	January 1	January 1 through December 31	45 days from the end of the monitoring period

4. Reporting Protocols. The Discharger shall report with each sample result the applicable Reporting Level (RL) and the current Method Detection Limit (MDL), as determined by the procedure in Part 136.

The Discharger shall report the results of analytical determinations for the presence of chemical constituents in a sample using the following reporting protocols:

- a. Sample results greater than or equal to the RL shall be reported as measured by the laboratory (i.e., the measured chemical concentration in the sample).

- b. Sample results less than the RL, but greater than or equal to the laboratory's MDL, shall be reported as "Detected, but Not Quantified," or DNQ. The estimated chemical concentration of the sample shall also be reported.

For the purposes of data collection, the laboratory shall write the estimated chemical concentration next to DNQ as well as the words "Estimated Concentration" (may be shortened to "Est. Conc."). The laboratory may, if such information is available, include numerical estimates of the data quality for the reported result. Numerical estimates of data quality may be percent accuracy (\pm a percentage of the reported value), numerical ranges (low to high), or any other means considered appropriate by the laboratory.

- c. Sample results less than the laboratory's MDL shall be reported as "Not Detected," or ND.
- d. Dischargers are to instruct laboratories to establish calibration standards so that the ML value (or its equivalent if there is differential treatment of samples relative to calibration standards) is the lowest calibration standard. At no time is the Discharger to use analytical data derived from *extrapolation* beyond the lowest point of the calibration curve.

5. The Discharger shall submit SMRs in accordance with the following requirements:

- a. The Discharger shall arrange all reported data in a tabular format. The data shall be summarized to clearly illustrate whether the facility is operating in compliance with interim and/or final effluent limitations. The Discharger is not required to duplicate the submittal of data that is entered in a tabular format within CIWQS. When electronic submittal of data is required and CIWQS does not provide for entry into a tabular format within the system, the Discharger shall electronically submit the data in a tabular format as an attachment.
- b. The Discharger shall attach a cover letter to the SMR. The information contained in the cover letter shall clearly identify violations of the WDRs; discuss corrective actions taken or planned; and the proposed time schedule for corrective actions. Identified violations must include a description of the requirement that was violated and a description of the violation.
- c. SMRs must be submitted to the Regional Water Board, signed and certified as required by the Standard Provisions (Attachment D), to the address listed below:

C. Notification

1. The Discharger shall notify the Executive Officer in writing prior to discharge of any chemical that may be toxic to aquatic life. Such notification shall include:
 - a. Name and general composition of the chemical,
 - b. Frequency of use,
 - c. Quantities to be used,
 - d. Proposed discharge concentrations, and
 - e. EPA registration number, if applicable.

No discharge of such chemical shall be made prior to obtaining the Executive Officer's approval.

2. The Discharger shall notify the Regional Board via telephone and/or fax within 24 hours of noticing an exceedance above the effluent limits in Order No. R4-2008-0032. The Discharger shall provide to the Regional Board within 14 days of observing the exceedance a detailed statement of the actions undertaken or proposed that will bring the discharge into full compliance with the requirements and submit a timetable for correction.

D. Monitoring Frequencies Adjustment

Monitoring frequencies may be adjusted by the Executive Officer to a less frequent basis if the Discharger requests same and the request is backed by statistical trends of monitoring data submitted.

E. Self Monitoring Reports (SMRs)

SMRs must be signed and certified as required by the standard provisions (Attachment D). The Discharge shall submit the original SMR to the address listed below:

California Regional Water Quality Control Board
Los Angeles Region
320 W. 4th Street, Suite 200
Los Angeles, CA 90013
Attention: Information and Technology Unit.