

KEY MAP SCALE: 1" = 200'

PRELIMINARY NOT FOR CONSTRUCTION

REVISIONS	DATE	BY



PLANS PREPARED BY:
DAEDALUS DESIGN GROUP
 2725 JEFFERSON STREET, SUITE 108
 CARLSBAD, CA 92008
 (760) 730-9837

**STORM WATER MANAGEMENT
 SITE PLANS
 LANDSCAPING PLANS AND
 SWM SYSTEMS**



SAM'S CLUB REMODEL
 STORE No. 6614-01
 4901 SANTA ANITA AVE.
 EL MONTE, CALIFORNIA



PROJECT MGR.
 OR
 PROJECT TECH:
 JOB NO.
 06-013
 SHEET NO.
SWQ-21

PLOT DATE: 7-25-07

DIG ALERT
 CALL BEFORE YOU DIG
 CALL TOLL FREE 1-800-227-2500
 UNDERGROUND SERVICE ALERT

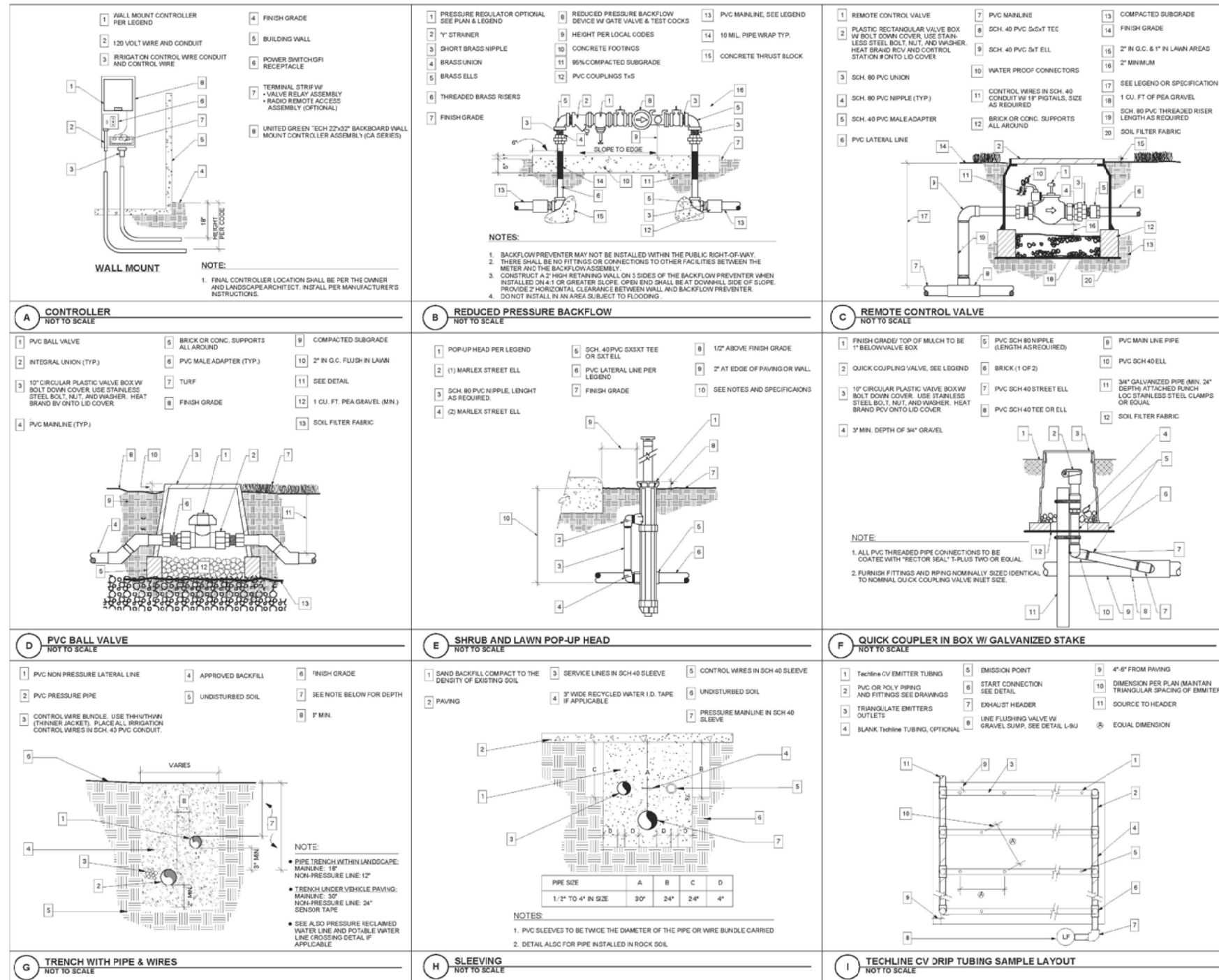
**** NOTICE TO CONTRACTORS ****
 TOPOGRAPHIC INFORMATION TAKEN FROM A TOPOGRAPHIC SURVEY PERFORMED BY DAEDALUS DESIGN GROUP OF ESCROW, CALIFORNIA. THE CONTRACTOR SHALL NOTIFY THE ENGINEER IMMEDIATELY IN WRITING OF ANY DISCREPANCIES OR CHANGES TO THE TOPOGRAPHIC INFORMATION. THE CONTRACTOR SHALL BE RESPONSIBLE FOR CORRECTING THE LOCATION AND DEPTH OF ALL EXISTING UTILITY LINES AND STRUCTURES (SEWER, GAS, WATER, TELEPHONE, ETC.) WHICH ARE NOT SHOWN ON THE PLANS. THE CONTRACTOR SHALL BE RESPONSIBLE FOR VERIFYING THE LOCATION AND DEPTH OF ALL EXISTING UTILITY LINES AND STRUCTURES. ANY COSTS INCURRED AS THE RESULT OF NOT CONFIRMING THE ACTUAL LOCATION AND DEPTH OF EXISTING UTILITY LINES AND STRUCTURES SHALL BE BORNE BY THE CONTRACTOR.

***** NOTICE TO CONTRACTORS *****
 ALL QUESTIONS REGARDING THE GENERAL CONTRACT DOCUMENTS OF THIS PROJECT SHALL BE DIRECTED TO THE ARCHITECT'S CONTRACT ADMINISTRATION OFFICE. CONTRACTORS MUST OBTAIN ALL NECESSARY PERMITS FROM THE CITY OF EL MONTE. THE CONTRACTOR SHALL BE RESPONSIBLE FOR OBTAINING ALL NECESSARY PERMITS FROM THE CITY OF EL MONTE. THE CONTRACTOR SHALL BE RESPONSIBLE FOR OBTAINING ALL NECESSARY PERMITS FROM THE CITY OF EL MONTE. THE CONTRACTOR SHALL BE RESPONSIBLE FOR OBTAINING ALL NECESSARY PERMITS FROM THE CITY OF EL MONTE.

***** NOTICE TO CONTRACTORS *****
 THIS SITE WORK FOR THE PARTS PORTION OF THIS PROJECT SHALL MEET OR EXCEED THE FOLLOWING STANDARDS: SWM: SDP-CALIFORNIA. ALL MEASUREMENTS AND CONSTRUCTION SHALL BE IN ACCORDANCE WITH THE CITY OF EL MONTE. THE CONTRACTOR SHALL BE RESPONSIBLE FOR OBTAINING ALL NECESSARY PERMITS FROM THE CITY OF EL MONTE. THE CONTRACTOR SHALL BE RESPONSIBLE FOR OBTAINING ALL NECESSARY PERMITS FROM THE CITY OF EL MONTE.

CITY OF EL MONTE
 APPROVAL WITH RESPECT TO OFFSITE IMPROVEMENTS
 AND NPDES APPLICABLE LAWS.

KEY TCHARKHOUTIAN, CITY OF EL MONTE DATE



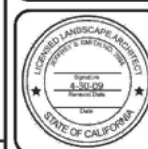
REVISIONS	DATE	BY

PLANS PREPARED BY:

DAEDALUS DESIGN GROUP
2725 JEFFERSON SUITE 105
CARLSBAD CA 92008
(760) 720-6937

**STORM WATER MANAGEMENT
SITE PLANS
LANDSCAPING PLANS AND
SWM SYSTEMS**

SAM'S CLUB REMODEL
STORE No. 6674-01
4901 SANTA ANITA AVE.
EL MONTE, CALIFORNIA



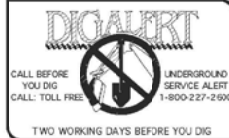
PROJECT MGR.
OR
PROJECT TECH
JOB NO.
06-013
SHEET NO.
SWQ-22

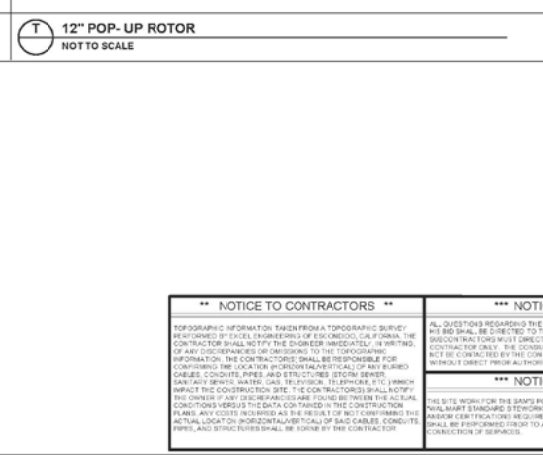
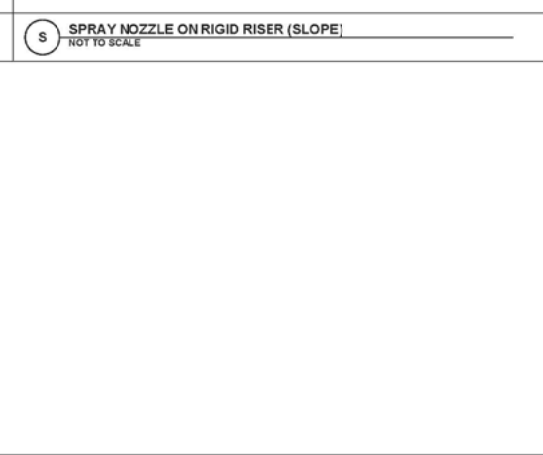
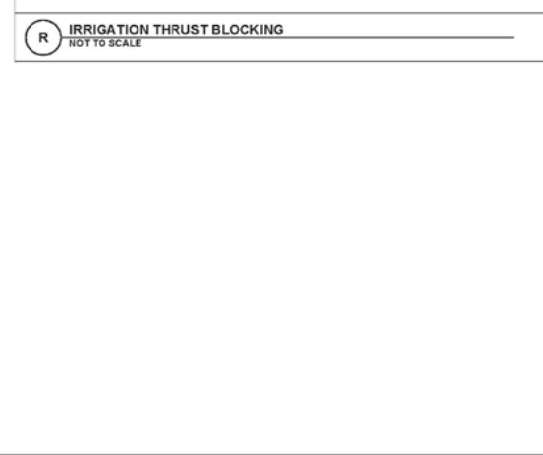
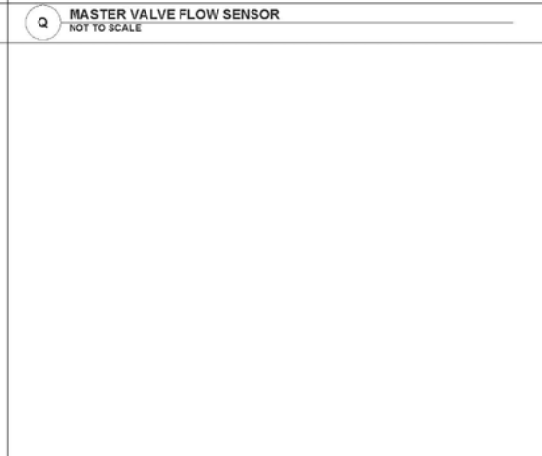
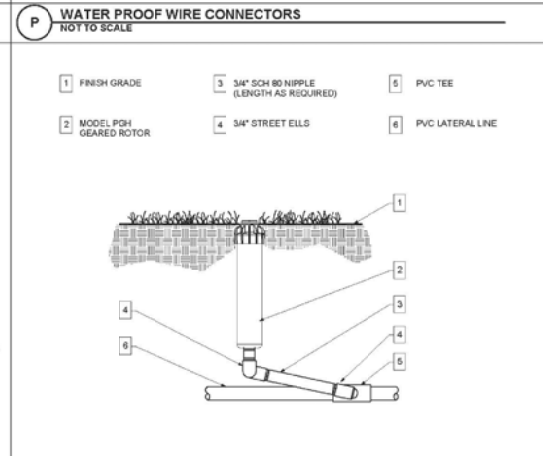
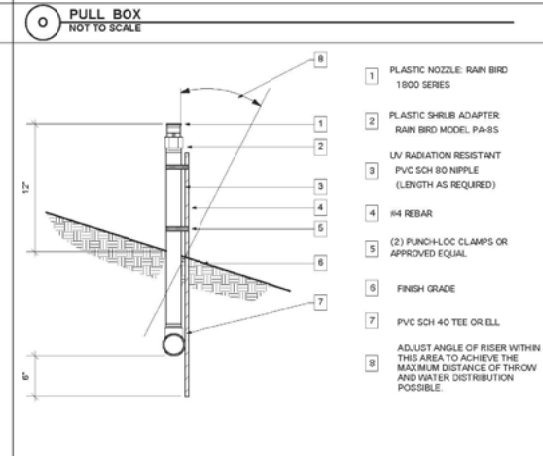
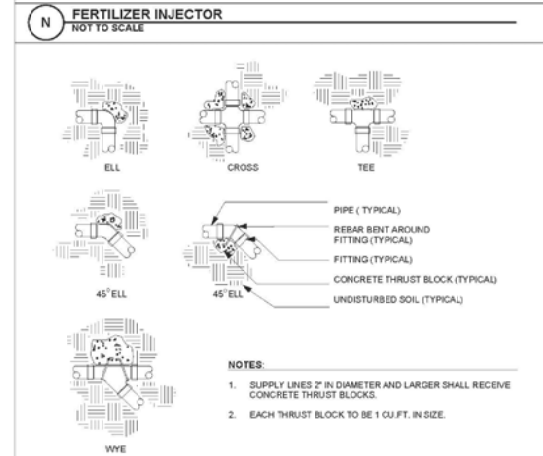
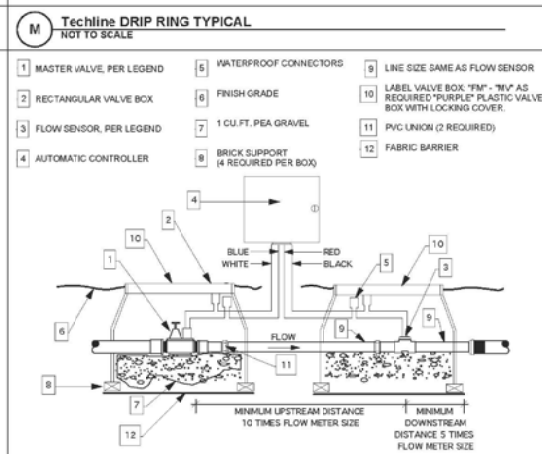
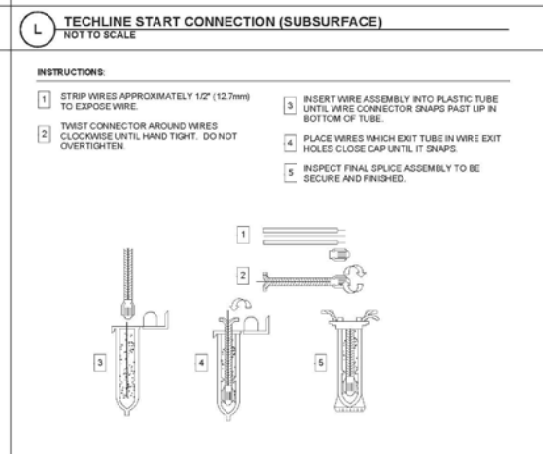
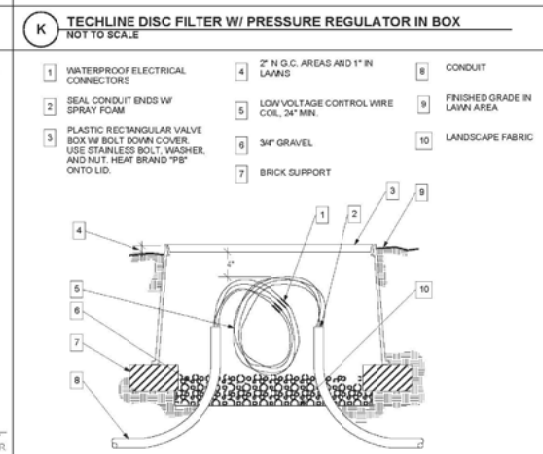
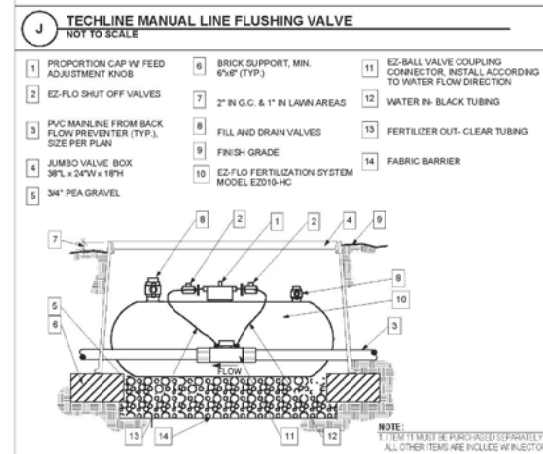
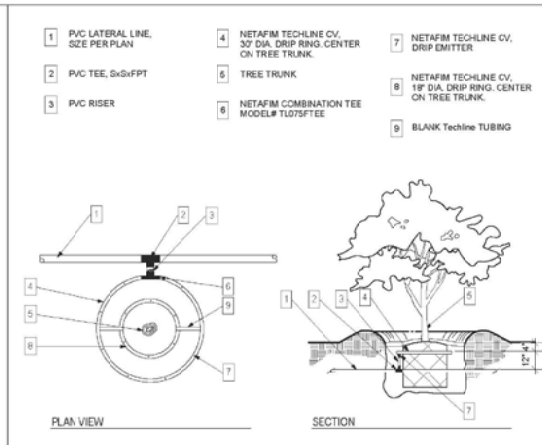
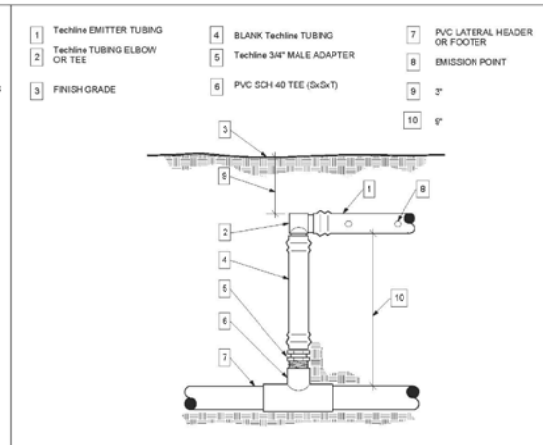
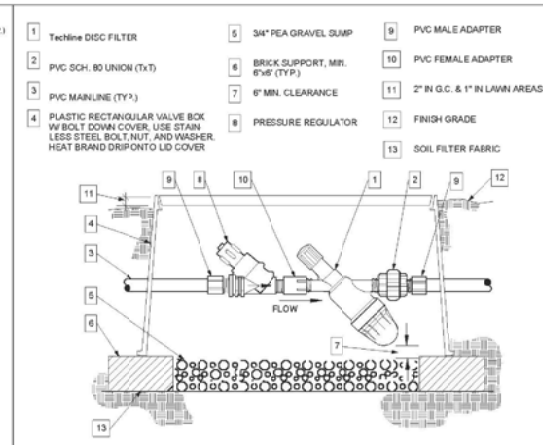
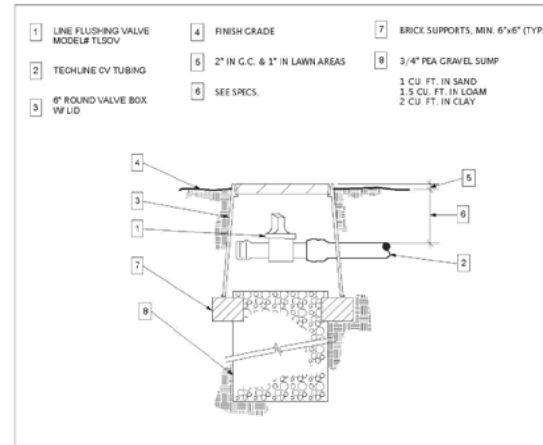
PLOT DATE: 7-25-07

PRELIMINARY NOT FOR CONSTRUCTION

**** NOTICE TO CONTRACTORS ****
EDUCATIONAL INFORMATION TAKEN FROM A VENDOR'S PUBLICATION...
***** NOTICE TO CONTRACTORS *****
ALL QUESTIONS REGARDING THE GENERAL CONTRACTOR'S PREPARATION OF...
**** NOTICE TO CONTRACTORS ****
THE SITE WORK FOR THE BANK PROTECTION OF THIS PROJECT SHALL MEET OR EXCEED THE...
REQUIREMENTS...
AND/OR CERTIFICATE TO THE CALIFORNIA DEPARTMENT OF WATER RESOURCES...
CONNECTION OF SERVICES.

CITY OF EL MONTE
APPROVAL WITH RESPECT TO OFFSITE IMPROVEMENTS
AND NPDES APPLICABLE LAWS.
KEY: YCHARHOUTIAN, CITY OF EL MONTE DATE





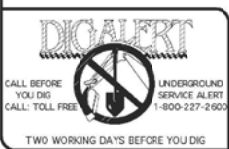
PRELIMINARY NOT FOR CONSTRUCTION

STORM WATER MANAGEMENT SITE PLANS LANDSCAPING PLANS AND SWM SYSTEMS

SAM'S CLUB REMODEL
STORE No. 6614-01
4901 SANTA ANITA AVE.
EL MONTE, CALIFORNIA



PROJECT MGR. OR PROJECT TECH
JOB NO. 06-013
SHEET NO. SWQ-23

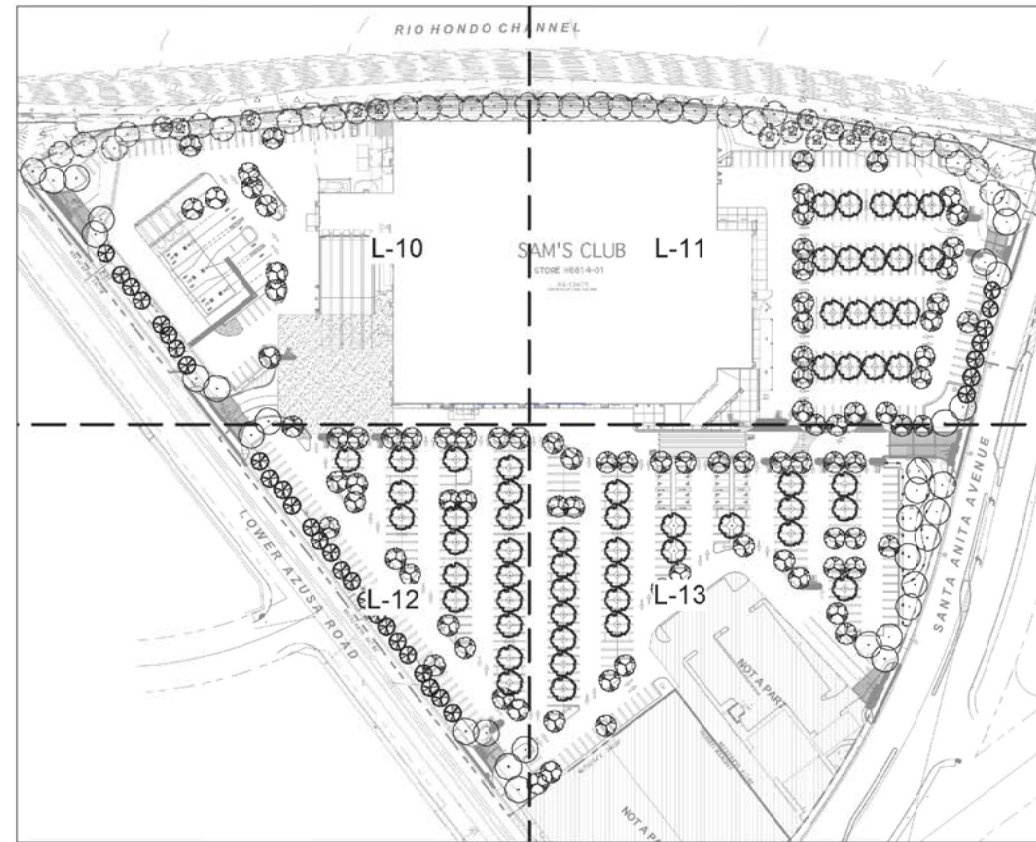


NOTICE TO CONTRACTORS
FOR GRAPHIC INFORMATION TAKE FROM A TOPOGRAPHIC SURVEY... CONTRACTOR SHALL NOTIFY THE ENGINEER IMMEDIATELY IN WRITING OF ANY DISCREPANCY OR AMBIGUITY TO THE CONTRACT DOCUMENTS... CONTRACTOR SHALL BE RESPONSIBLE FOR CORRECTING THE DISCREPANCY OR AMBIGUITY... CONTRACTOR SHALL NOTIFY THE ENGINEER IMMEDIATELY IN WRITING OF ANY DISCREPANCY OR AMBIGUITY TO THE CONTRACT DOCUMENTS... CONTRACTOR SHALL BE RESPONSIBLE FOR CORRECTING THE DISCREPANCY OR AMBIGUITY... CONTRACTOR SHALL NOTIFY THE ENGINEER IMMEDIATELY IN WRITING OF ANY DISCREPANCY OR AMBIGUITY TO THE CONTRACT DOCUMENTS... CONTRACTOR SHALL BE RESPONSIBLE FOR CORRECTING THE DISCREPANCY OR AMBIGUITY...

NOTICE TO CONTRACTORS
ALL QUESTIONS REGARDING THE GENERAL CONTRACTOR'S PREPARATION OF THIS PLAN SHALL BE DIRECTED TO THE QUALITY CONTROL DEPARTMENT... CONTRACTOR SHALL NOTIFY THE ENGINEER IMMEDIATELY IN WRITING OF ANY DISCREPANCY OR AMBIGUITY TO THE CONTRACT DOCUMENTS... CONTRACTOR SHALL BE RESPONSIBLE FOR CORRECTING THE DISCREPANCY OR AMBIGUITY... CONTRACTOR SHALL NOTIFY THE ENGINEER IMMEDIATELY IN WRITING OF ANY DISCREPANCY OR AMBIGUITY TO THE CONTRACT DOCUMENTS... CONTRACTOR SHALL BE RESPONSIBLE FOR CORRECTING THE DISCREPANCY OR AMBIGUITY...

CITY OF EL MONTE
APPROVAL WITH RESPECT TO OFFSITE IMPROVEMENTS AND NPDES APPLICABLE LAWS.
KEY YCHARKHOUTIAN, CITY OF EL MONTE DATE

PLOT DATE: 7-25-07



PLANTING (INDEX PLAN)



NOTES:

1. ALL PLANTER BEDS WITH EXPOSED SOIL SURFACES SHALL RECEIVE A 4" LAYER OF SHREDDED WOOD MULCH GROUND COVER PER WAL-MART SPECIFICATIONS.
2. ALL BIG CELL AREAS SHALL RECEIVE A 4" LAYER OF SHREDDED WOOD MULCH GROUND COVER PER WAL-MART SPECIFICATIONS.

HYDROSEED MIX PALLETTE

BOTANICAL NAME	PLS#s/ACRE
Clarkia amoena tall	3
Eschscholzia californica	2
Lasthenia glabrata	1
Layia platyglossa	1
Nemophila menziesii	4
Phacelia campanularia	3
Camissonia cheiranthifolia	2
Linum lewisii	4

TOTAL= 20

PLANTING LEGEND

SYMBOL	BOTANICAL NAME	COMMON NAME	QTY.	SIZE	REMARKS
TREES					
	<i>Geijera parviflora</i>	Australian Willow	33	24" Box	Standard Trunk
	<i>Platanus racemosa</i>	California Sycamore	31	24" Box	Standard Trunk
	<i>Pyrus calleryana 'Aristocrat'</i>	Ornamental Pear	91	24" Box	Standard Trunk
	<i>Tabebuia impetiginosa</i>	Pink Trumpet Tree	32	24" Box	Standard Trunk
	<i>Ulmus parvifolia 'True Green'</i>	True Green Elm	58	24" Box	Standard Trunk
	<i>Umbellularia californica</i>	California Bay	13	24" Box	Natural Form
SHRUBS					
	<i>Cercis occidentalis</i>	Western Redbud	52	5 Gal.	
	<i>Salvia clevelandii</i>	California Blue Sage	79	5 Gal.	
	<i>Heteromeles arbutifolia</i>	Toyon	5 Gal.	5 Gal.	
	<i>Ceanothus 'Concha'</i>	California Lilac	1	5 Gal.	
	<i>Hemerocallis 'Persian Market'</i>	Daylily	388	1 Gal.	Available thru Greenwood Daylily Gardens, Ph. 562-494-8944
	<i>Hemerocallis 'Lavender Vist'</i>	Daylily	416	1 Gal.	Available thru Greenwood Daylily Gardens, Ph. 562-494-8944
	<i>Viburnum tinus 'Spring Bouquet'</i>	Dwarf Laurustinus	443	5 Gal.	
	<i>Kriphofia uvira 'Blaze'</i>	Red Hot Poker	470	5 Gal.	
	<i>Trachelospermum jasminoides</i>	Star Jasmine	2267	1 Gal.	
	<i>Pennisetum spathulatum</i>	Rye Puffs	408	1 Gal.	
	<i>Phormium 'Desky Chief'</i>	New Zealand Flax	182	5 Gal.	
	<i>Agapanthus 'Queen Ann'</i>	Lily-of-the-lille	1244	1 Gal.	Blue Flower
	<i>Rosa Flower Carpet® Apple Blossom</i>	Flower Carpet Rose	246	2 Gal.	
	<i>Rosa Flower Carpet® Pink</i>	Flower Carpet Rose	385	2 Gal.	
	<i>Escallonia 'Compacta'</i>	No Common Name	176	5 Gal.	
	<i>Pittosporum tobira 'Wheeler's Dwarf'</i>	No Common Name	114	5 Gal.	
	<i>Pittosporum tobira 'Turners Dwarf'</i>	No Common Name	190	5 Gal.	
	<i>Pittosporum tenuifolium</i>	No Common Name	19	15 Gal.	
	<i>Nandina domestica 'Gulf Stream'</i>	Heavenly Bamboo	21	5 Gal.	
	<i>Anigozanthos 'Bush Sunset'</i>	Kangaroo Paws	50	1 Gal.	Available thru San Marcos Growers, Ph. 805-683-1561
	<i>Leonotis leonurus</i>	Lion's Tail	15	5 Gal.	
	<i>Philomis frutescens</i>	Jerusalem Sage	38	5 Gal.	
	<i>Plecostachys serpyllifolia</i>	No Common Name	52	1 Gal.	
	<i>Juncus effusus pacificus 'Quartz Creek'</i>	No Common Name	112	1 Gal.	
	<i>Buxus japonica</i>	Boxwood	75	1 Gal.	
GRASSES					
	<i>Miscanthus transmontanus</i>	Evergreen Maidengrass	84	5 Gal.	
	<i>Leymus arenarius 'Gladius'</i>	Blue Lyme Grass	219	1 Gal.	
	<i>Muhlenbergia rigens</i>	Deer Grass	157	1 Gal.	
	<i>Encelia californica</i>	No Common Name	185	1 Gal.	
	<i>Penstemon heterophyllus</i>	Foothill Penstemon	116	1 Gal.	
VINES					
	<i>Vitis californica 'Roger's Red'</i>	California Grape	40	5 Gal.	Train to chainlink fence
GROUND COVERS					
	<i>Hypericum calycinum</i>	Aaron's Beard		From flats	Plant @ 12" O.C.
	<i>Pilularia 'Twin Peaks'</i>	Dwarf Coyote Bush		From flats	Plant @ 24" O.C.
	Hydroseed (Custom Native Plant Blend)	No Common Name		Hydroseed	See Hydroseed Design Legend
	<i>Lysimachia nummularia</i>	Moneywort		From Flats	Plant @ 12" O.C.
	-LAWN	Turf		Sod	

PRELIMINARY NOT FOR CONSTRUCTION

STORM WATER MANAGEMENT
SITE PLANS
LANDSCAPING PLANS AND
SWM SYSTEMS

SAM'S CLUB REMODEL
STORE No. 6614-01
4901 SANTA ANITA AVE.
EL MONTE, CALIFORNIA



PROJECT MGR.
OR
PROJECT TECH
JOB NO.
06-013
SHEET NO.
SWQ-24



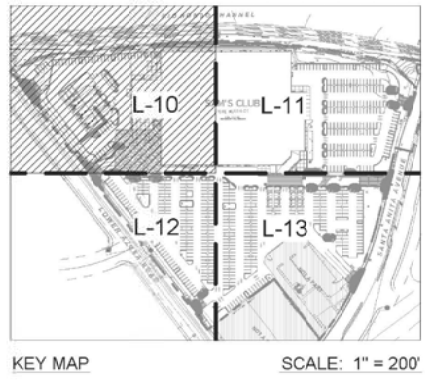
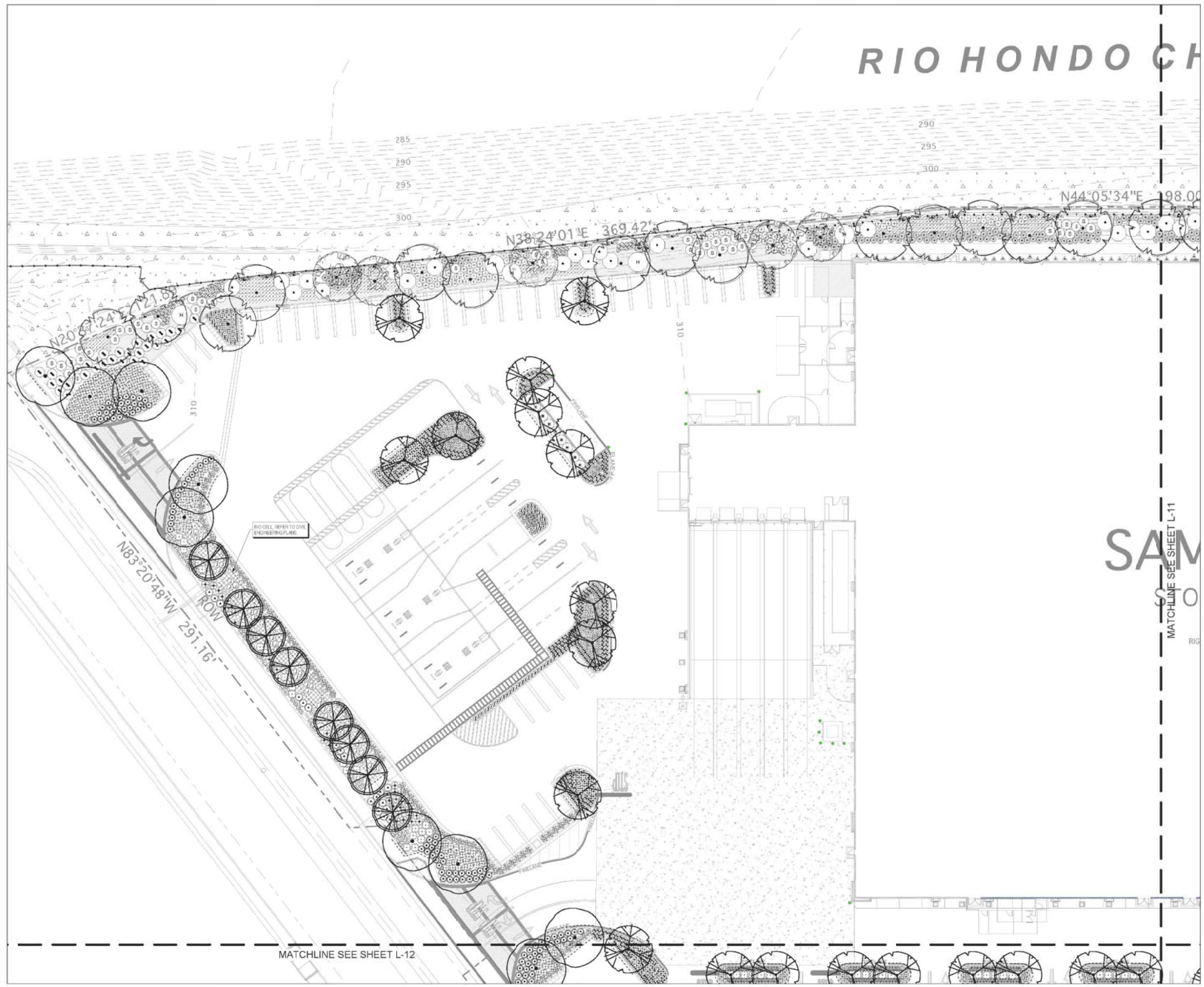
**** NOTICE TO CONTRACTORS ****
TOPOGRAPHIC INFORMATION TAKEN FROM A TOPOGRAPHIC SURVEY PERFORMED BY CIVIL ENGINEERS OF ESCOBEDO, CALIFORNIA. THE CONTRACTOR SHALL NOTIFY THE ENGINEER IMMEDIATELY IN WRITING, OF ANY DISCREPANCIES OR CHANGES TO THE TOPOGRAPHIC INFORMATION. THE CONTRACTOR SHALL BE RESPONSIBLE FOR CORRECTING THE LOCATION BY CHANGING THE SYMBOL OF ANY BURIED CABLES, CONDUITS, PIPES, AND STRUCTURES FROM BEING SHOWN AS EXISTING TO BEING SHOWN AS NOT EXISTING. THE CONTRACTOR SHALL BE RESPONSIBLE FOR VERIFYING THE LOCATION OF ANY DISCREPANCIES ARE FOUND BY THE CONTRACTOR. ANY COSTS INCURRED AS THE RESULT OF NOT CORRECTING THE ACTUAL LOCATION HORIZONTAL CONTROL OF EXISTING CABLES, CONDUITS, PIPES, AND STRUCTURES SHALL BE BORNE BY THE CONTRACTOR.

***** NOTICE TO CONTRACTORS *****
ALL QUANTITIES SHOWN ARE APPROXIMATE. CONTRACTORS ARE ADVISED THAT THE CONTRACTOR SHALL NOTIFY THE ENGINEER IMMEDIATELY IN WRITING, OF ANY DISCREPANCIES OR CHANGES TO THE TOPOGRAPHIC INFORMATION. THE CONTRACTOR SHALL BE RESPONSIBLE FOR CORRECTING THE LOCATION BY CHANGING THE SYMBOL OF ANY BURIED CABLES, CONDUITS, PIPES, AND STRUCTURES FROM BEING SHOWN AS EXISTING TO BEING SHOWN AS NOT EXISTING. THE CONTRACTOR SHALL BE RESPONSIBLE FOR VERIFYING THE LOCATION OF ANY DISCREPANCIES ARE FOUND BY THE CONTRACTOR. ANY COSTS INCURRED AS THE RESULT OF NOT CORRECTING THE ACTUAL LOCATION HORIZONTAL CONTROL OF EXISTING CABLES, CONDUITS, PIPES, AND STRUCTURES SHALL BE BORNE BY THE CONTRACTOR.

**** NOTICE TO CONTRACTORS ****
THE SITE WORK FOR THE STAMP PORTION OF THIS PROJECT SHALL BE IN ACCORDANCE WITH THE STANDARD SPECIFICATIONS FOR PUBLIC WORKS, 2012 EDITION, AND THE STANDARD SPECIFICATIONS FOR PUBLIC WORKS, 2012 EDITION, AND THE STANDARD SPECIFICATIONS FOR PUBLIC WORKS, 2012 EDITION. ALL NECESSARY INSPECTIONS SHALL BE FURNISHED HERE TO APPROVED BUILDING POSSESSION AND THE FINAL INSPECTION OF SERVICES.

CITY OF EL MONTE
APPROVAL WITH RESPECT TO OFFSITE IMPROVEMENTS AND NPDES APPLICABLE LAWS.
KEY TCHARKHOUTIAN, CITY OF EL MONTE DATE

DATE



PRELIMINARY NOT FOR CONSTRUCTION

REVISIONS	DATE	BY

PLANS PREPARED BY:
DAEDALUS DESIGN GROUP
 2725 JEFFERSON STREET, SUITE 150
 CARLSBAD, CA 92008
 (760) 720-9337

**STORM WATER MANAGEMENT
 SITE PLANS
 LANDSCAPING PLANS AND
 SWM SYSTEMS**

SAM'S CLUB REMODEL
 STORE No. 6614-01
 4901 SANTA ANITA AVE.
 EL MONTE, CALIFORNIA



PROJECT MGR.
 OR
 PROJECT TECH
 JOB NO.
 06-013
 SHEET NO.
SWQ-25



DAEDALUS
 CALL BEFORE YOU DIG
 CALL: TOLL FREE 1-800-227-2600
 UNDERGROUND SERVICE ALERT
 TWO WORKING DAYS BEFORE YOU DIG

**** NOTICE TO CONTRACTORS ****
 TOPOGRAPHIC INFORMATION TAKEN FROM A TOPOGRAPHIC SURVEY...
***** NOTICE TO CONTRACTORS *****
 ALL CONDITIONS REGARDING THIS GENERAL CONTRACTOR'S PREPARATION...
***** NOTICE TO CONTRACTORS *****
 THE SITE WORK FOR THIS PROJECT SHALL MEET OR EXCEED THE...
 STANDARD SPECIFICATIONS...
 APPROVAL WITH RESPECT TO OFFSITE IMPROVEMENTS AND NPDES APPLICABLE LAWS.

CITY OF EL MONTE
 APPROVAL WITH RESPECT TO OFFSITE IMPROVEMENTS AND NPDES APPLICABLE LAWS.
 KEY TCHARKHOUTIAN, CITY OF EL MONTE DATE

PLOT DATE: 7-25-07

REVISIONS	DATE	BY

PLANS PREPARED BY:
DAEDALUS DESIGN GROUP
2725 JEFFERSON STREET, SUITE 156
CARLSBAD, CA 92008
(760) 724-8937

**STORM WATER MANAGEMENT
SITE PLANS
LANDSCAPING PLANS AND
SWM SYSTEMS**

PRELIMINARY NOT FOR CONSTRUCTION

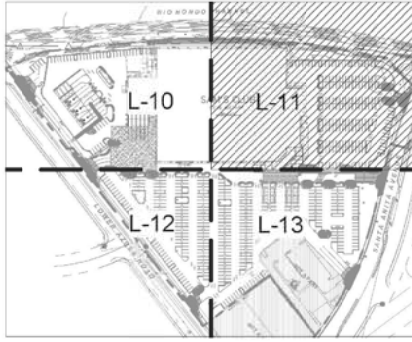
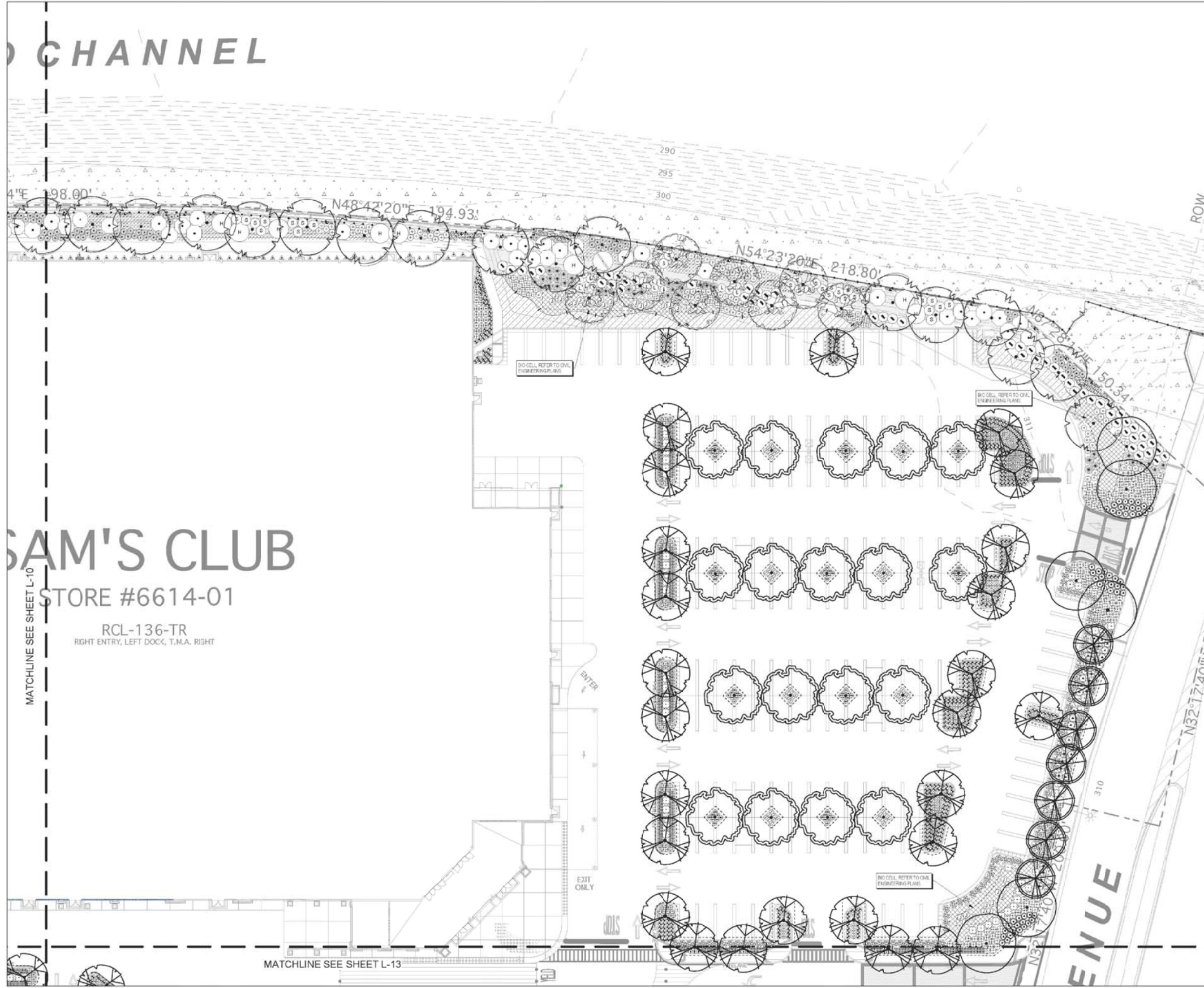
SAM'S CLUB REMODEL
STORE No. 6614-01
4901 SANTA ANITA AVE.
EL MONTE, CALIFORNIA



PROJECT MGR.
OR
PROJECT TECH

JOB NO.
06-013

SHEET NO.
SWQ-26



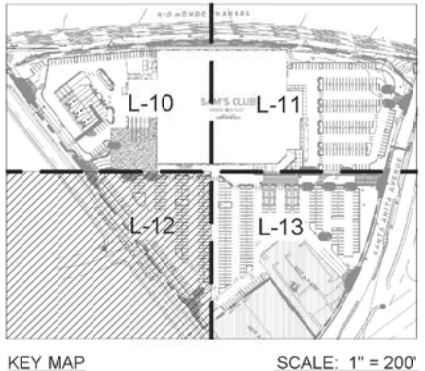
DIG ALERT
CALL BEFORE YOU DIG
CALL TOLL FREE 1-800-227-2500
UNDERGROUND SERVICE ALERT
TWO WORKING DAYS BEFORE YOU DIG

**** NOTICE TO CONTRACTORS ****
TOPOGRAPHIC INFORMATION TAKEN FROM A TOPOGRAPHIC SURVEY...
ALL SURVEY DATA IS THE PROPERTY OF DAEDALUS DESIGN GROUP...
CONTRACTOR SHALL BE RESPONSIBLE FOR VERIFYING ALL SURVEY DATA...
NO CLAIMS FOR DAMAGES SHALL BE MADE BY CONTRACTOR...
ALL UTILITIES SHALL BE THE RESPONSIBILITY OF THE CONTRACTOR...
THE CONTRACTOR SHALL BE RESPONSIBLE FOR OBTAINING ALL NECESSARY...
PERMITS AND APPROVALS FROM ALL APPLICABLE AGENCIES...
ALL UTILITIES SHALL BE MARKED PRIOR TO CONSTRUCTION...
ALL UTILITIES SHALL BE PROTECTED AT ALL TIMES...
ALL UTILITIES SHALL BE REPAIRED OR REPLACED AT THE CONTRACTOR'S...
EXPENSE...
THE CONTRACTOR SHALL BE RESPONSIBLE FOR OBTAINING ALL...
NECESSARY PERMITS AND APPROVALS FROM ALL APPLICABLE...
AGENCIES...
ALL UTILITIES SHALL BE MARKED PRIOR TO CONSTRUCTION...
ALL UTILITIES SHALL BE PROTECTED AT ALL TIMES...
ALL UTILITIES SHALL BE REPAIRED OR REPLACED AT THE CONTRACTOR'S...
EXPENSE...

**** NOTICE TO CONTRACTORS ****
ALL SURVEY DATA IS THE PROPERTY OF DAEDALUS DESIGN GROUP...
CONTRACTOR SHALL BE RESPONSIBLE FOR VERIFYING ALL SURVEY DATA...
NO CLAIMS FOR DAMAGES SHALL BE MADE BY CONTRACTOR...
ALL UTILITIES SHALL BE THE RESPONSIBILITY OF THE CONTRACTOR...
THE CONTRACTOR SHALL BE RESPONSIBLE FOR OBTAINING ALL NECESSARY...
PERMITS AND APPROVALS FROM ALL APPLICABLE AGENCIES...
ALL UTILITIES SHALL BE MARKED PRIOR TO CONSTRUCTION...
ALL UTILITIES SHALL BE PROTECTED AT ALL TIMES...
ALL UTILITIES SHALL BE REPAIRED OR REPLACED AT THE CONTRACTOR'S...
EXPENSE...
THE CONTRACTOR SHALL BE RESPONSIBLE FOR OBTAINING ALL...
NECESSARY PERMITS AND APPROVALS FROM ALL APPLICABLE...
AGENCIES...
ALL UTILITIES SHALL BE MARKED PRIOR TO CONSTRUCTION...
ALL UTILITIES SHALL BE PROTECTED AT ALL TIMES...
ALL UTILITIES SHALL BE REPAIRED OR REPLACED AT THE CONTRACTOR'S...
EXPENSE...

CITY OF EL MONTE
APPROVAL WITH RESPECT TO OFFSITE IMPROVEMENTS
AND NPDES APPLICABLE LAWS.
KEY TCHARKHOUTIAN, CITY OF EL MONTE DATE

PLOT DATE: 7-25-07



REVISIONS	DATE

PLANS PREPARED BY:
DAEDALUS DESIGN GROUP
 2725 JEFFERSON STREET, SUITE 100
 CARLSBAD, CA 92008
 (760) 720-6637

**STORM WATER MANAGEMENT
 SITE PLANS
 LANDSCAPING PLANS AND
 SWM SYSTEMS**

PRELIMINARY NOT FOR CONSTRUCTION

SAM'S CLUB REMODEL
 STORE No. 6614-01
 4901 SANTA ANITA AVE.
 EL MONTE, CALIFORNIA



PROJECT MGR.
 OR
 PROJECT TECH
 JOB NO.
 06-013
 SHEET NO.
SWQ-27



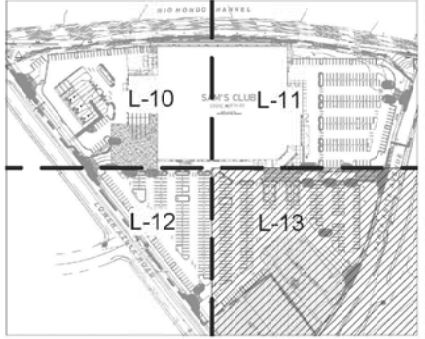
**** NOTICE TO CONTRACTORS ****
 TOPOGRAPHIC INFORMATION TAKEN FROM A RECONNOISSANCE SURVEY AND PROVIDED TO THE CONTRACTOR FOR INFORMATION ONLY. THE CONTRACTOR SHALL VERIFY THE ACCURACY OF THIS INFORMATION. THE CONTRACTOR SHALL BE RESPONSIBLE FOR CORRECTING THE LOCATION AND DEPTH OF ANY EXISTING UTILITY LINES, CABLES, CONDUITS, PIPES, AND STRUCTURES OF ANY KIND. THE CONTRACTOR SHALL BE RESPONSIBLE FOR VERIFYING THE LOCATION AND DEPTH OF ANY EXISTING UTILITY LINES, CABLES, CONDUITS, PIPES, AND STRUCTURES OF ANY KIND. THE CONTRACTOR SHALL BE RESPONSIBLE FOR VERIFYING THE LOCATION AND DEPTH OF ANY EXISTING UTILITY LINES, CABLES, CONDUITS, PIPES, AND STRUCTURES OF ANY KIND. THE CONTRACTOR SHALL BE RESPONSIBLE FOR VERIFYING THE LOCATION AND DEPTH OF ANY EXISTING UTILITY LINES, CABLES, CONDUITS, PIPES, AND STRUCTURES OF ANY KIND.

***** NOTICE TO CONTRACTORS *****
 ALL OTHERS RESPONSIBLE FOR THE DESIGN, CONSTRUCTION, OR MAINTENANCE OF ANY UTILITY LINES, CABLES, CONDUITS, PIPES, AND STRUCTURES OF ANY KIND SHALL BE RESPONSIBLE FOR NOTIFYING THE CONTRACTOR IMMEDIATELY IN WRITING OF ANY DISCREPANCIES OR CHANGES TO THE INFORMATION PROVIDED TO THE CONTRACTOR. THE CONTRACTOR SHALL BE RESPONSIBLE FOR VERIFYING THE LOCATION AND DEPTH OF ANY EXISTING UTILITY LINES, CABLES, CONDUITS, PIPES, AND STRUCTURES OF ANY KIND. THE CONTRACTOR SHALL BE RESPONSIBLE FOR VERIFYING THE LOCATION AND DEPTH OF ANY EXISTING UTILITY LINES, CABLES, CONDUITS, PIPES, AND STRUCTURES OF ANY KIND.

**** NOTICE TO CONTRACTORS ****
 THE CONTRACTOR SHALL BE RESPONSIBLE FOR VERIFYING THE LOCATION AND DEPTH OF ANY EXISTING UTILITY LINES, CABLES, CONDUITS, PIPES, AND STRUCTURES OF ANY KIND. THE CONTRACTOR SHALL BE RESPONSIBLE FOR VERIFYING THE LOCATION AND DEPTH OF ANY EXISTING UTILITY LINES, CABLES, CONDUITS, PIPES, AND STRUCTURES OF ANY KIND. THE CONTRACTOR SHALL BE RESPONSIBLE FOR VERIFYING THE LOCATION AND DEPTH OF ANY EXISTING UTILITY LINES, CABLES, CONDUITS, PIPES, AND STRUCTURES OF ANY KIND.

CITY OF EL MONTE
 APPROVAL WITH RESPECT TO OFFSITE IMPROVEMENTS
 AND NPDES APPLICABLE LAWS.
 KEY TCHARKHOUTIAN, CITY OF EL MONTE DATE

PLOT DATE: 7-25-07



PRELIMINARY NOT FOR CONSTRUCTION

**STORM WATER MANAGEMENT
SITE PLANS
LANDSCAPING PLANS AND
SWM SYSTEMS**

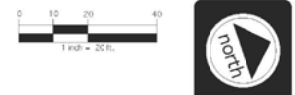
SAM'S CLUB REMODEL
STORE No. 6614-01
4901 SANTA ANITA AVE.
EL MONTE, CALIFORNIA



PROJECT MGR.
OR
PROJECT TECH
JOB NO.
06-013
SHEET NO.
SWQ-28

PLANS PREPARED BY:
DAEDALUS DESIGN GROUP
2725 JEFFERSON STREET, SUITE 15B
CARLSBAD, CA 92008
(760) 720-8537

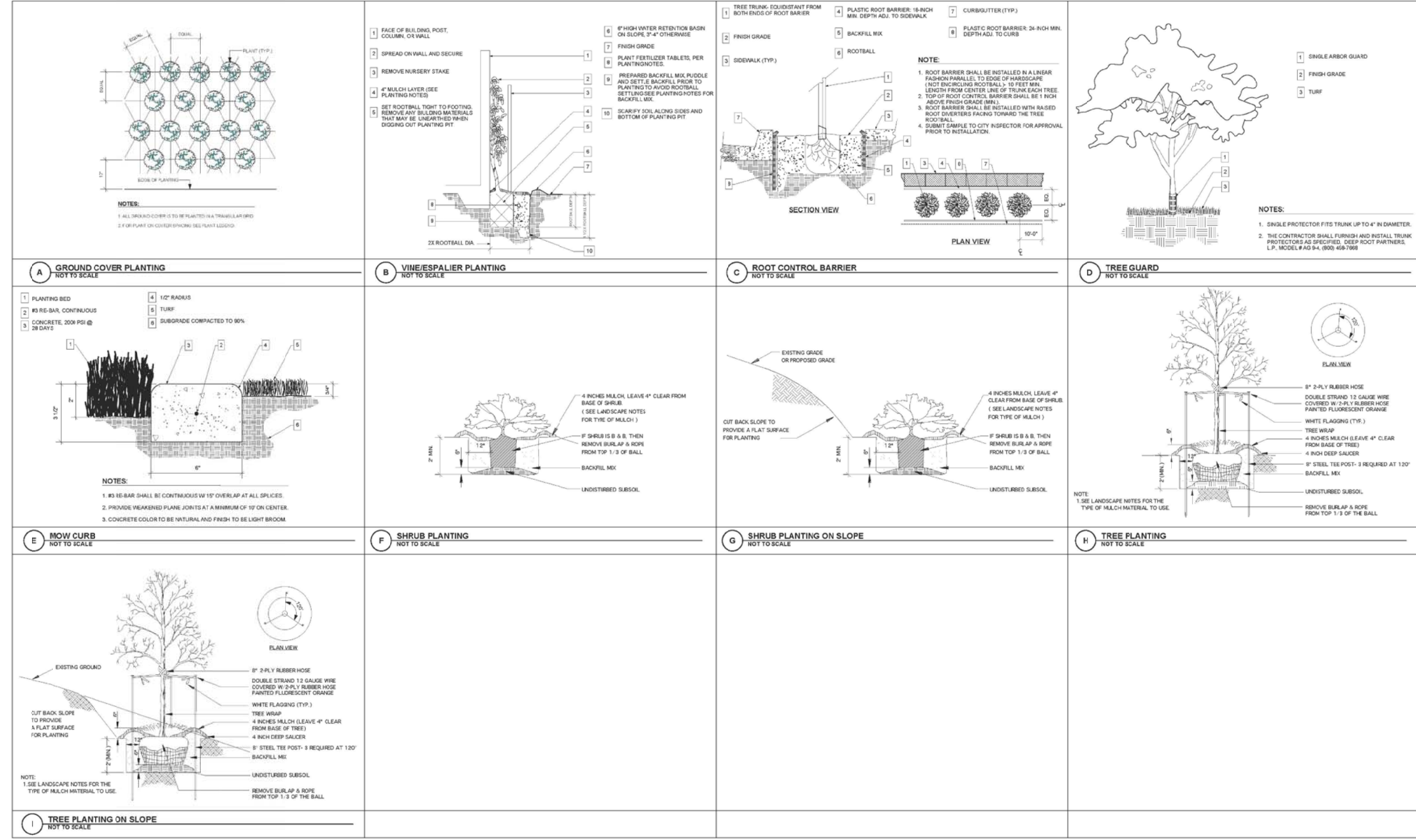
REVISIONS	DATE



**** NOTICE TO CONTRACTORS ****
 INFORMATION TAKEN FROM A DISSEMINATED SURVEY...
**** NOTICE TO CONTRACTORS ****
 ALL OFFERS...
**** NOTICE TO CONTRACTORS ****
 THE SITE MODEL FOR THE SAME PORTION OF THIS PROJECT SHALL MEET OR EXCEED THE...
 HIGHEST STANDARDS OF TECHNICAL PRACTICE... ALL NECESSARY...
 AND/OR CERTIFICATIONS REQUIRED BY CODE AND/OR... SERVICE CHANGES...
 SHALL BE...
 PIPES AND STRUCTURES SHALL BE BORNE BY THE CONTRACTOR.

CITY OF EL MONTE
 APPROVAL WITH RESPECT TO OFFSITE IMPROVEMENTS
 AND NPDES APPLICABLE LAWS.
 KEY TCHARKHOUTIAN, CITY OF EL MONTE DATE

PLOT DATE: 7-25-07



REVISIONS	DATE

PLANS PREPARED BY:

DAEDALUS DESIGN GROUP
 2725 JEFFERSON STREET, SUITE 100
 CARLSBAD, CA 92008
 (760) 720-9507

**STORM WATER MANAGEMENT
 SITE PLANS
 LANDSCAPING PLANS AND
 SWM SYSTEMS**

PRELIMINARY NOT FOR CONSTRUCTION

SAM'S CLUB REMODEL
 STORE No. 6614-01
 4901 SANTA ANITA AVE.
 EL MONTE, CALIFORNIA



PLOT DATE: 7-25-07



***** NOTICE TO CONTRACTORS *****
 INFORMATION OBTAINED FROM A TOPOGRAPHIC SURVEY PERFORMED BY CIVIL ENGINEERING OF FORTYFOUR CALIFORNIA, THE CONTRACTOR SHALL BE RESPONSIBLE FOR VERIFYING THE LOCATION OF ALL UTILITIES TO BE PROTECTED. THE CONTRACTOR SHALL BE RESPONSIBLE FOR OBTAINING THE LOCATION INFORMATION FROM ALL UTILITIES. CONTRACTOR SHALL BE RESPONSIBLE FOR OBTAINING THE LOCATION INFORMATION FROM ALL UTILITIES. CONTRACTOR SHALL BE RESPONSIBLE FOR OBTAINING THE LOCATION INFORMATION FROM ALL UTILITIES. CONTRACTOR SHALL BE RESPONSIBLE FOR OBTAINING THE LOCATION INFORMATION FROM ALL UTILITIES.

CITY OF EL MONTE
 APPROVAL WITH RESPECT TO OFFSITE IMPROVEMENTS AND NPDES APPLICABLE LAWS.
 KEV TGHARKHOUTIAN, CITY OF EL MONTE DATE

PROJECT MGR. OR PROJECT TECH
 JOB NO. 06-013
 SHEET NO. SWQ-29