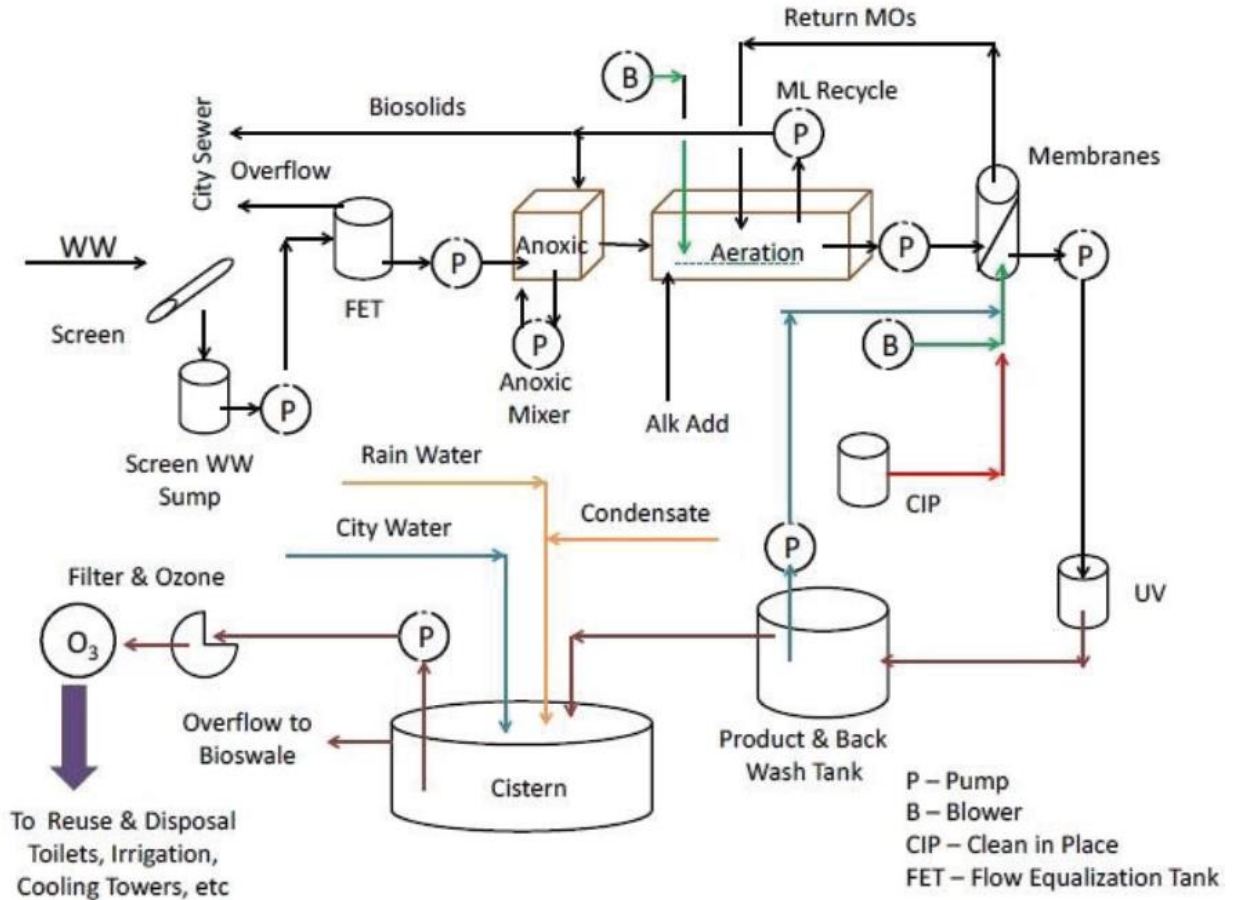


Treatment System Schematic



Simplified Wastewater Treatment System Process Flow Diagram